



# 1160 Hoftrac

## Technical data

### ■ Standard engine data

Engine manufacturer	Perkins
Motor type	403 J-11
Cylinder	3
Drive output	18.4 kW
Drive output	24.7 HP
at max. rpm	2,800 rpm
Cylinder capacity	69.02 in <sup>3</sup>
Type of coolant	Water
Exhaust standard level	V
Exhaust aftertreatment	-

### ■ Electrical system

Operating voltage	12 V
Battery	77 Ah
Alternator	40 A

### ■ Weights

Operating weight	4,211 - 4,960 lb
Thrust force (max.)	1,778 - 1,824 daN
Lift capacity (max.)	1,777 - 1,811 daN
Tipping load with bucket – machine straight, loading frame horizontal	2,359 - 3,175 lb
Tipping load with bucket – machine pivoted, loading frame horizontal	1,433 - 2,668 lb
Tipping load with bucket - machine straight, loading frame in lowest position	3,086 - 5,534 lb
Tipping load with bucket - machine pivoted, loading frame in lowest position	2,359 - 4,696 lb
Tipping load with pallet fork – machine straight, loading frame horizontal	1,609 - 2,138 lb
Tipping load with pallet fork – machine pivoted, loading frame horizontal	1,213 - 1,918 lb

Tipping load with pallet fork - machine straight, transport position 2,359 - 3,131 lb

Tipping load with pallet fork - machine pivoted, transport position 1,808 - 2,557 lb

### ■ Driver's cab

Driver's cab	FSD (eps, cabin)
--------------	------------------

### ■ Filling levels

Tank capacity for fuel	5.28 US gal
Tank capacity for hydraulic oil	5.28 US gal

### ■ Drive system

Type of drive	Hydrostatic
drive unit	universal joint shaft
Speed levels	2
Axle	T80 (T94)
Travel speed Standard	0-12,43 mph
Operating brake	Hydrostatic drive system acting on all 4 wheels (wear-free)
Parking brake	Service and parking brake in the drive train
Differential lock	100% VA + HA (option)

### ■ Hydraulic system

Drive hydraulics working pressure (max.)	4,786 psi
Work hydraulics discharge volume (max.)	8.14 gpm
Work hydraulics working pressure (max.)	3,263 psi

### ■ Kinematics

Kinematics type	P
Lifting cylinder	2
Tipping cylinder	1
Quick change system	Mechanical (hydraulically activated)

### ■ Steering

Steering type	hydraulically activated articulated pendulum steering
---------------	---

Steering cylinder	1
Oscillating angle	± 12 degree

Specified sound pressure level LpA (operator's canopy)	84 dB(A)
--	----------

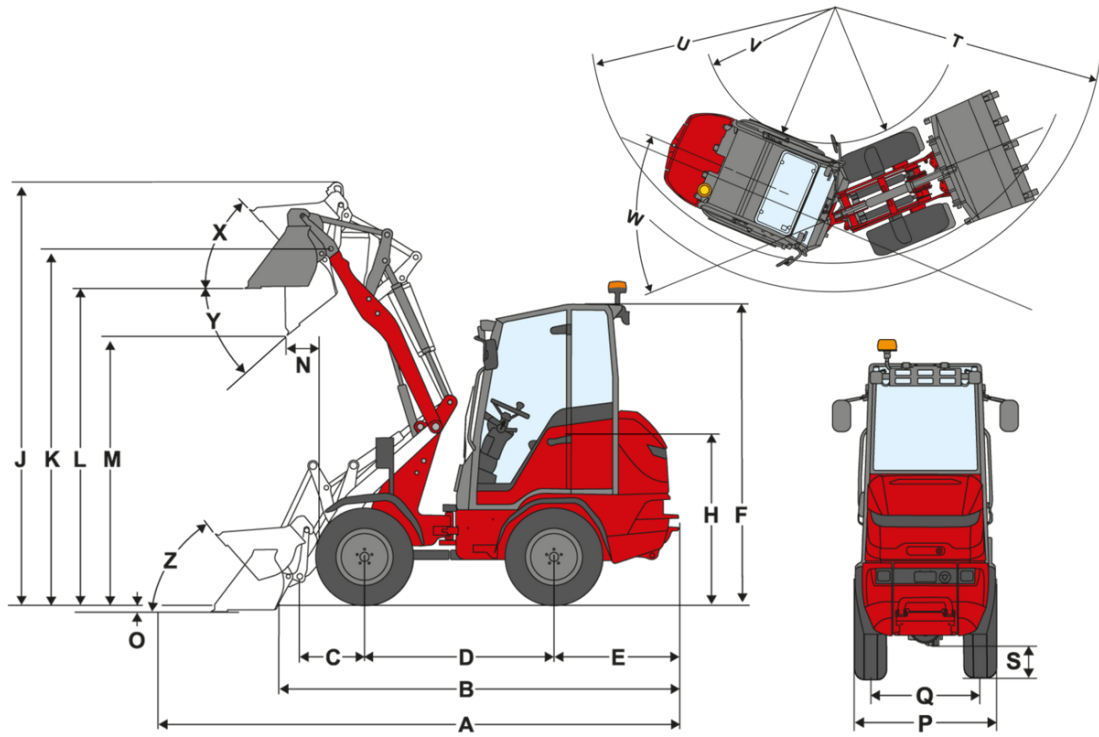
**■ Noise characteristic values**

Average sound power level LwA (operator's canopy)	99.0 dB(A)
Guaranteed sound power level LwA (operator's canopy)	101 dB(A)

**■ Other information**

FSD = operator's canopy  
 eps = Easy Protection System (fold-down operator's canopy)  
 DPF = diesel particulate filter  
 DOC = diesel oxidation catalyst  
 Tipping load calculation pursuant to ISO 14397

# Dimensions



		P-kinematics (Standard)	P-kinematics (long)
A	Total length	156.8 in	164.6 in
B	Total length without bucket	118.3 in	126.2 in
C	Bucket pivot point (to center of axle)	20.0 in	27.8 in
D	Wheel base	57.8 in	57.8 in
E	Rear overhang	36.1 in	36.1 in
F	Height with operator's canopy fixed	88.1 in	88.1 in
	Height with fold-down operator's canopy (eps)	92.2 in	92.2 in
F	Height with fold-down operator's canopy, folded down (eps)	75.9 in	75.9 in
	Height with cab	90.6 in	90.6 in
H	Seat height	50.1 in	50.1 in
J	Total working height	134.8 in	143.1 in
K	Bucket pivot point (max. lift height)	107.9 in	116.1 in
L	Load-over height	95.3 in	103.5 in
M	Dumping height	70.8 in	78.7 in
N	Reach (at M)	19.6 in	19.6 in
O	Digging depth	3.8 in	4.9 in
P	Total width	41.1 in	41.1 in
Q	Track width	30.7 in	30.7 in
S	Ground clearance	10.0 in	10.0 in
T	Maximum radius	102.0 in	106.5 in
U	Radius on the outer edge	84.2 in	84.2 in
V	Inner radius	40.0 in	40.0 in
W	Articulation angle	50 °	50 °
X	Rollback angle at max. lift height	50 °	47 °
Y	Dumping angle	40 °	40 °
Z	Rollback angle on ground	49 °	49 °