



EZ20

Tracked zero tail excavators

Designed to be productive and durable on a wide variety of applications.

For high productivity in confined spaces, this excavator delivers excellent results. The EZ20 is perfectly suited for this application. The EZ20 is perfectly suited for this application. The extra-long dipperstick provides greater digging reach and the increased lifting capacity ensures maximum performance on the job site. With an ample counterweight and an ideal balance of performance and lift capacity, the machine stands out amongst its competitors. Designed and manufactured for long hours of reliable operation and low operating costs - even in difficult working conditions.



Highlights

- 100 % Zero Tail
- Up to four additional factory-installed control circuits
- Powerful drive system with LUDV
- Swivel bracket

Technical Data

Hydraulic

Operating pressure hydraulics	240.0 bar
Flow rate	39.0 l/min

Mechanical - Output Details

Nominal rotation speed	2,200.0 1/min
Breakout force - tilt	17,000.0 kN
Breakout force - lift	7,000.0 N
Travel speed stage 1	2.6 km/h
Travel speed stage 2	4.5 km/h

Mechanical Details

Length	3,570.0 mm
Width	990.0 mm
Height	2,362.0 mm
Operating weight (min.-max.)	1,805.0 - 2,085.0 kg
Digging depth (max.)	2,326.0 mm

Engine

Cooling	Water-cooling
Engine type	Diesel engine
Cylinder capacity	1,266.0 cm ³
Tank capacity	22.0 l

Effective power	13.4 KW
Nominal Engine speed	2,200.0 1/min
Starter battery Voltage	12.0 V
Engine Manufacturer	Yanmar
Engine Designation	3TNV80F-SSWN1

Environment Data

Sound power LWA, measured	79.0 dB(A)
Sound power LWA, guaranteed	93.0 dB(A)
Exhaust gas limit values	CN Stage IV

Operating Fluids

Oil volume	3.400 l
Cooling fluid volume	3.5 l
Hydraulic fluid volume	21.0 l

Chassis

Traction drive	Axialpistonmotor with RGU
----------------	---------------------------

Shipping and Storage

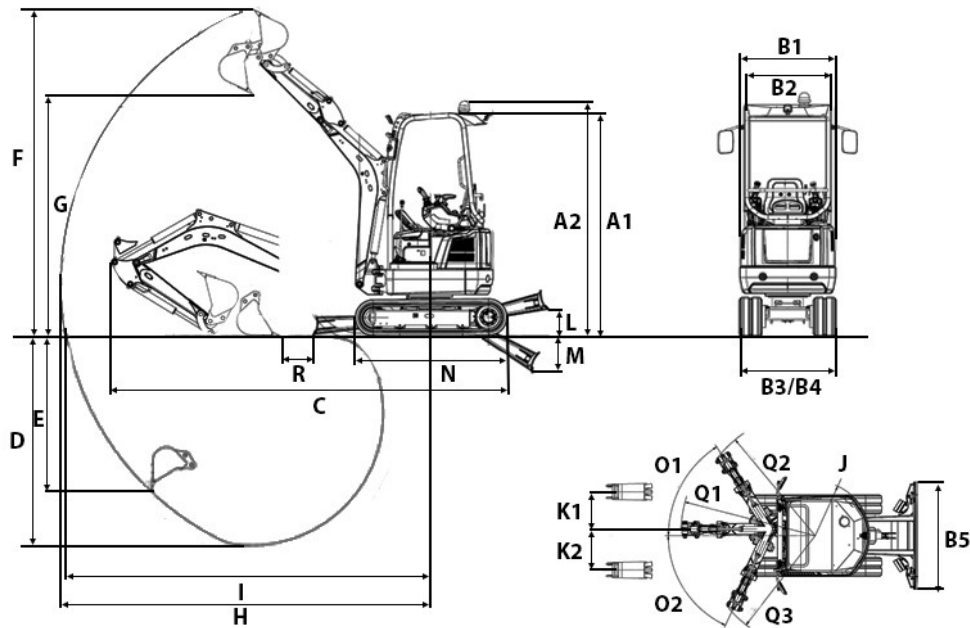
Length for shipping	3,570.0 mm
Width for shipping	990.0 mm
Height for shipping	2,362.0 mm
Shipping weight	1,730.0 kg

Available engines

Yanmar 3TNV80F-SSWN1

Cooling	Water-cooling
Engine type	Diesel engine
Cylinder	3
Cylinder capacity	1,266 cm ³
Fuel	Diesel EN 590
Effective power	13.4 KW
Nominal Engine speed	2,200 1/min
Maximum torque	65.6 Nm
Engine speed (max. torque)	1,600 1/min
Engine Manufacturer	Yanmar
Engine Designation	3TNV80F-SSWN1
Stroke	84 mlai
Bore	80 mlai

Dimensions



A1	Height of canopy	2,397 mm
A2	Total height with rotating beacon	2,566 mm
B1	Width of upper carriage	980 mm
B2	Width of cab	884 mm
B3	Width travel gear	1,400 mm
B4	Width travel gear retracted	1,090 mm
B5	Width of dozer blade	1,400 mm
C	Transport length	3,566 mm
D	Digging depth max.	2,546 mm
E	Piercing depth max.	1,752.2 mm
F	Piercing height max.	3,677 mm
G	Dumping height max.	2,485 mm
H1	Digging radius max.	4,150 mm
I	Max. reach at ground level	4,099 mm
J	Tail swing radius	690 mm
K1	Boom offset max. (to center of bucket right side)	533 mm
K2	Boom offset max. (to center of bucket left side)	418 mm
L	Stacking height max. (dozer blade above surface)	269 mm
M	Digging depth max. (dozer blade below surface)	391 mm
N	Length travel drive	1,604 mm
O2	Max. swivel angle (arm system to the left)	65 °
O1	Max. swivel angle (arm system to the right)	57 °
Q1	Boom swing radius center	1,679 mm
Q2	Boom swing radius right	1,569 mm
Q3	Boom swing radius left	1,419 mm
R	Distance bucket dozer blade, short shovel arm	105 mm