



# T7042

## Telehandlers



### Technical data

#### ■ Standard engine data

Engine manufacturer	Perkins
Motor type	904J-E36TA
Cylinder	4
Drive output	100 kW
Drive output	134.1 HP
at max. rpm	2,200 rpm
Cylinder capacity	220.97 in <sup>3</sup>
Type of coolant	Water
Exhaust standard level	V
Exhaust aftertreatment	DOC/DPF/SCR
Average sound power level LwA (cabin)	105 dB(A)
Guaranteed sound power level LwA (cabin)	106 dB(A)
Specified sound pressure level LpA (cabin)	76 dB(A)

#### ■ Electrical system

Operating voltage	12 V
Battery	185 Ah
Alternator	150 A

#### ■ Weights

Payload (max.)	9,259 lb
Operating weight	16,865 lb

#### ■ Driver's cab

Driver's cab	Cab
--------------	-----

#### ■ Filling levels

Tank capacity for fuel	37.51 US gal
Tank capacity for hydraulic oil	23.78 US gal
Tank capacity for urea solution	5.02 US gal

#### ■ Drive system

Type of drive	Hydrostatic (electronically regulated)
drive unit	universal joint shaft
Speed levels	3
Axle	PAL 1930
Travel speed Standard	0-12,43 mph
Travel speed Option 1	0-24,85 mph
Operating brake	Multi-disc brake on front axle acting on rear axle via universal joint shaft
Parking brake	Electro-hydraulic multi-disc brake with spring suspension on the front axle, acting on rear axle via universal joint shaft
Differential lock	100 % front axle (option)

#### ■ Hydraulic system

Drive hydraulics working pressure (max.)	7252 psi
Work hydraulics discharge volume (max.)	36,61 (49,40) gpm
Work hydraulics working pressure (max.)	3785 psi

#### ■ Kinematics

Lifting cylinder	1
Tipping cylinder	1
Quick change system	Mechanical (hydraulically activated)

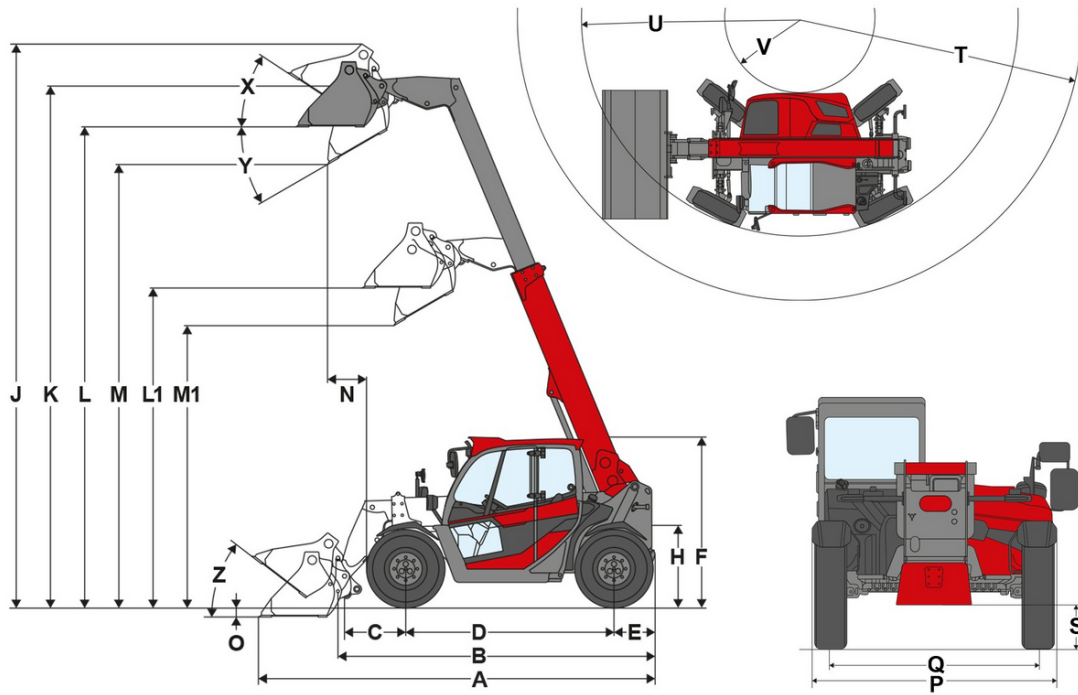
#### ■ Steering

Steering type	Hydrostatic all-wheel steering with fully automatic synchronization
Steering cylinder	2
Steering angle max.	2x45 degree
Oscillating angle of the rear axle	± 10 degree

#### ■ Other information

DPF = diesel particulate filter
DOC = diesel oxidation catalyst
SCR = selective catalytic reduction

## Dimensions



A	Total length	237.60 in
B	Total length without bucket	194.88 in
C	Bucket pivot point (to center of axle)	34.29 in
D	Wheel base	116.14 in
E	Rear overhang	27.56 in
F	Height with cab	95.47 in
H	Seat height	53.94 in
J	Total working height	310.83 in
K	Bucket pivot point (max. lift height)	287.60 in
L1	Load-over height telescopic arm retracted	175.98 in
L	Load-over height telescopic arm extended	266.54 in
M1	Dumping height telescopic arm retracted	154.72 in
M	Dumping height telescopic arm extended	245.28 in
N	Reach (at M)	4.53 in
O	Digging depth	7.28 in
P	Total width	96.46 in
Q	Track width	75.98 in
S	Ground clearance	14.57 in
T	Maximum radius	202.95 in
U	Radius on the outer edge	145.67 in
V	Inner radius	64.57 in
X	Rollback angle at max. lift height	45 °
Y	Dumping angle	44 °
Z	Rollback angle on ground	46 °