



803

Tracked conventional excavator

the smallest that can also be emission-free

The 803 is the smallest Wacker Neuson excavator - but leaves absolutely nothing to be desired in terms of performance. Its narrow width of only 27.58 inches allows it to fit perfectly through interior doors, while its rubber tracks protect the flooring. Somit passt er perfekt durch Innentüren und schont aufgrund seiner Gummiketten den Bodenbelag. Special attention was paid to the hydraulic performance. Attachments, such as the tuned Wacker Neuson hydraulic breaker, can be operated without any problems using the standard auxiliary hydraulics. With the optional electro-hydraulic unit (HPU), the mini-excavator is ideal for emission-sensitive job sites and can be operated with the same output electrically, with no fumes

Highlights

- Folding ROPS safety bar
- Standard one-way auxiliary hydraulics
- Highest engine power in its class
- Hydraulic telescopic chassis with dozer blade extension
- Easy transportation by car trailer

Technical Data

Hydraulic

Operating pressure hydraulics	2,465.0 psi
-------------------------------	-------------

Mechanical - Output Details

Travel speed	1.1 m/H
--------------	---------

Mechanical Details

Width	27.6 "
-------	--------

Height	89.0 "
--------	--------

Operating weight (min.-max.)	2,268.6 - 2,458.2 lb
------------------------------	----------------------

Digging depth (max.)	69.5 "
----------------------	--------

Engine

Fuel	• HVO EN15940
------	---------------

Tank capacity	1.8 gal US
---------------	------------

Environment Data

Sound level LpA	77.0 dB(A)
-----------------	------------

Sound level LpA (Standard)	• ISO 6396
----------------------------	------------

Sound power LWA, measured	91.3 dB(A)
---------------------------	------------

Sound power LWA, guaranteed	93.0 dB(A)
-----------------------------	------------

Operating Fluids

Oil specification	• SAE 10W-40
-------------------	--------------

Oil volume	0.660 gal US
------------	--------------

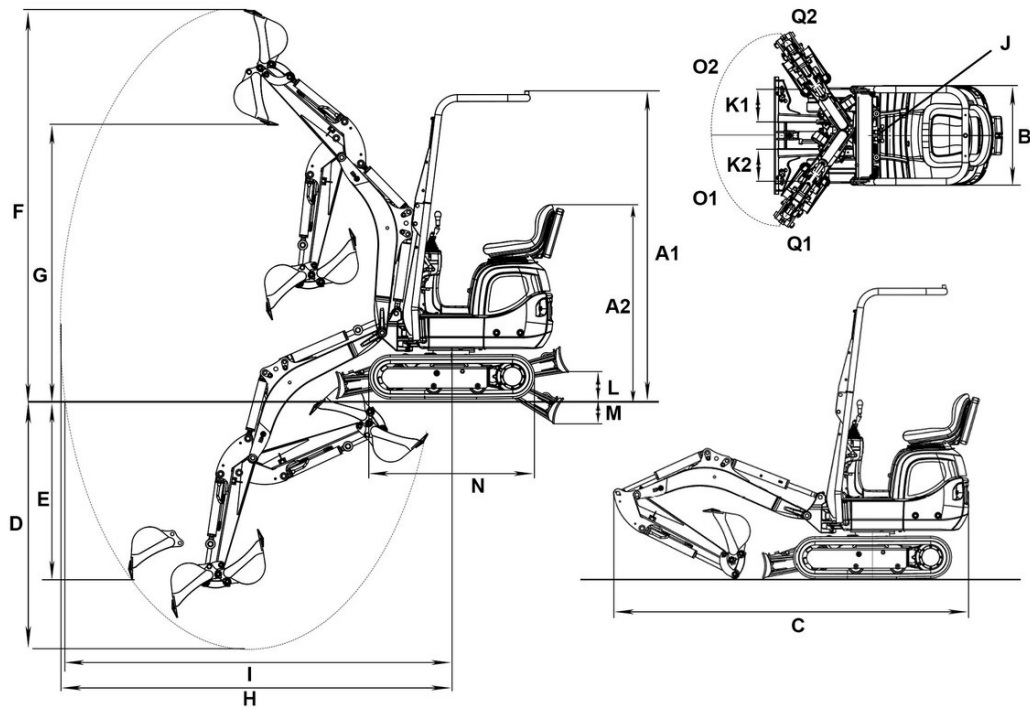
Cooling fluid volume	3.1 qt US
----------------------	-----------

Hydraulic fluid volume	14.6 qt US
------------------------	------------

Shipping and Storage

Shipping weight	2,054.7 lb
-----------------	------------

Dimensions



A1	Height ROPS	89 in
A2	Height of ROPS tilted	56.2 in
B	Width of upper carriage	28.76 in
	Width travel gear	33.9 in
B	Width travel gear retracted	27.58 in
C	Transport length	111.3 in
D	Digging depth max.	69.46 in
E	Piercing depth max.	52.01 in
F	Piercing height max.	112.5 in
G	Dumping height max.	79.27 in
H	Digging radius max.	121.75 in
I	Max. reach at ground level	119.3 in
J	Tail swing radius	29.43 in
K1	Boom offset max. (to center of bucket right side)	9.65 in
K2	Boom offset max. (to center of bucket left side)	11.15 in
L	Stacking height max. (dozer blade above surface)	7.6 in
M	Digging depth max. (dozer blade below surface)	7.0 in
N	Length travel drive	48.07 in
O1	Max. swivel angle (arm system to the left)	55 °
O2	Max. swivel angle (arm system to the right)	56 °
	Track width	7.09 in
Q2	Boom swing radius right	42.8 in
Q1	Boom swing radius left	40.9 in