



EZ17

Tracked Zero Tail Excavators

Perfect for tight construction sites.

The EZ17 compact excavator is the most powerful zero tail excavator in its class. The large-volume diesel engine, LUDV (Load Sensing System) and an innovative cooling system provide the highest levels of performance and efficiency. The compact and durable design guarantees a long service life. Ideal for use in tight construction sites; the EZ17 combines power and precision for maximum productivity.

Highlights

- Powerful drive system with LUDV
- 100 % Zero Tail
- 2 lifting eyes on the roof
- Easy transportation by car trailer
- Optimally protected neck and lift arm cylinder

Technical Data

Hydraulic

Operating pressure hydraulics	240.0 bar
Hydraulic pump	• Axial piston displacement pump
Flow rate	39.0 l/min
Tank capacity	23.0 l

Mechanical - Output Details

Travel speed	4.5 km/h
--------------	----------

Mechanical Details

Length	3,581.0 mm
Width	990.0 - 1,300.0 mm
Height	2,369.0 mm
Operating weight (min.-max.)	1,724.0 - 1,887.0 kg
Digging depth (max.)	2,590.0 mm

Engine

Inclined position max.	25.0 °
Fuel	• HVO EN15940
Oil filling max.	4.4 l

Effective power	13.8 KW
Nominal Engine speed	2,200.0 1/min
Starter battery Voltage	12.0 V
Battery capacity (nom. value)	30.0 Ah
Stroke	84.0 mm
Bore	80.0 mm

Environment Data

Sound power LWA, guaranteed	93.0 dB(A)
-----------------------------	------------

Operating Fluids

Oil specification	• SAE 10W-40
Cooling fluid volume	5.7 l
Hydraulic fluid volume	23.6 l

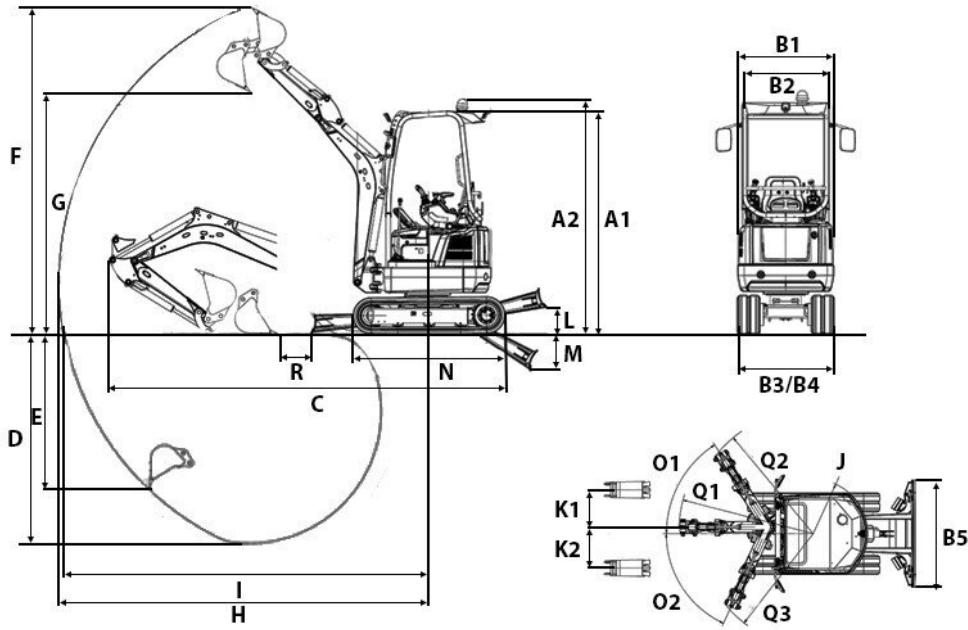
Chassis

Traction drive	• axial piston motor
Operating pressure	240.0 bar

Shipping and Storage

Shipping weight	1,595.0 - 1,765.0 kg
-----------------	----------------------

Dimensions



		Short dipper stick	Long dipper stick
A1	Height	2,380 mm	
A2	Total height of cabin with rotating beacon	2,538 mm	
B1	Width of upper carriage	980 mm	
B2	Width of cab	885 mm	
B3	Width travel gear extended	1,300 mm	
B4	Width travel gear retracted	990 mm	
C	Transport length	3,584 mm	3,551 mm
D	Digging depth max.	2,326 mm	2,486 mm
E	Piercing depth max.	1,713 mm	1,863 mm
F	Piercing height max.	3,462 mm	3,576 mm
G	Dumping height max.	2,436 mm	2,550 mm
H	Digging radius max.	3,899 mm	4,050 mm
I	Max. reach at ground level	3,848 mm	4,002 mm
J	Tail swing radius	660 mm	
	Tail swing radius with tail weight	725 mm	
K1	Boom offset max. (to center of bucket right side)	533 mm	
K2	Boom offset max. (to center of bucket left side)	418 mm	
L	Stacking height max. (dozer blade above surface)	271 mm	
M	Digging depth max. (dozer blade below surface)	390 mm	
N	Length travel drive	1,607 mm	
O1	Max. swivel angle (arm system to the right)	57 °	
O2	Max. swivel angle (arm system to the left)	65 °	
Q1	Boom swing radius center	1,627 mm	
Q2	Boom swing radius right	1,519 mm	
Q3	Boom swing radius left	1,372 mm	
R	Distance bucket dozer blade, short shovel arm	332 mm	
	Distance bucket dozer blade, long shovel arm	260 mm	