



1280 Hoftrac

Technical data

■ Standard engine data

Engine manufacturer	Perkins
Motor type	403 J-17 T
Cylinder	3
Drive output	18.4 kW
Drive output	24.7 HP
at max. rpm	2,800 rpm
Cylinder capacity	101.48 in ³
Type of coolant	Water
Exhaust standard level	V
Exhaust aftertreatment	-

■ Electrical system

Operating voltage	12 V
Battery	77 Ah
Alternator	65 A

■ Weights

Operating weight	5,071 - 5,688 lb
Thrust force (max.)	1,939 - 2,058 daN
Lift capacity (max.)	1,965 - 2,063 daN
Tipping load with bucket – machine straight, loading frame horizontal	2,976 - 3,924 lb
Tipping load with bucket – machine pivoted, loading frame horizontal	2,469 - 3,263 lb
Tipping load with bucket - machine straight, loading frame in lowest position	4,674 - 6,702 lb
Tipping load with bucket - machine pivoted, loading frame in lowest position	3,902 - 5,622 lb
Tipping load with pallet fork – machine straight, loading frame horizontal	2,359 - 3,086 lb
Tipping load with pallet fork – machine pivoted, loading frame horizontal	1,940 - 2,535 lb

Tipping load with pallet fork - machine straight, transport position	3,153 - 4,343 lb
Tipping load with pallet fork - machine pivoted, transport position	2,624 - 3,616 lb

■ Driver's cab

Driver's cab	FSD (eps, cabin)
--------------	------------------

■ Filling levels

Tank capacity for fuel	11.89 US gal
Tank capacity for hydraulic oil	7.13 US gal

■ Drive system

Type of drive	Hydrostatic
drive unit	universal joint shaft
Speed levels	2
Axle	T94
Travel speed Standard	0-12.43 mph
Operating brake	Hydrostatic drive system acting on all 4 wheels (wear-free)
Parking brake	Service and parking brake in the drive train
Differential lock	100% VA + HA (option)

■ Hydraulic system

Drive hydraulics working pressure (max.)	5,366 psi
Work hydraulics discharge volume (max.)	11.83 gpm
Work hydraulics working pressure (max.)	2,683 psi

■ Kinematics

Kinematics type	P
Lifting cylinder	2
Tipping cylinder	1
Quick change system	Mechanical (hydraulically activated)

■ Steering

Steering type	hydraulically activated articulated pendulum steering
---------------	---

Steering cylinder	1
Oscillating angle	± 12 degree

■ **Noise characteristic values**

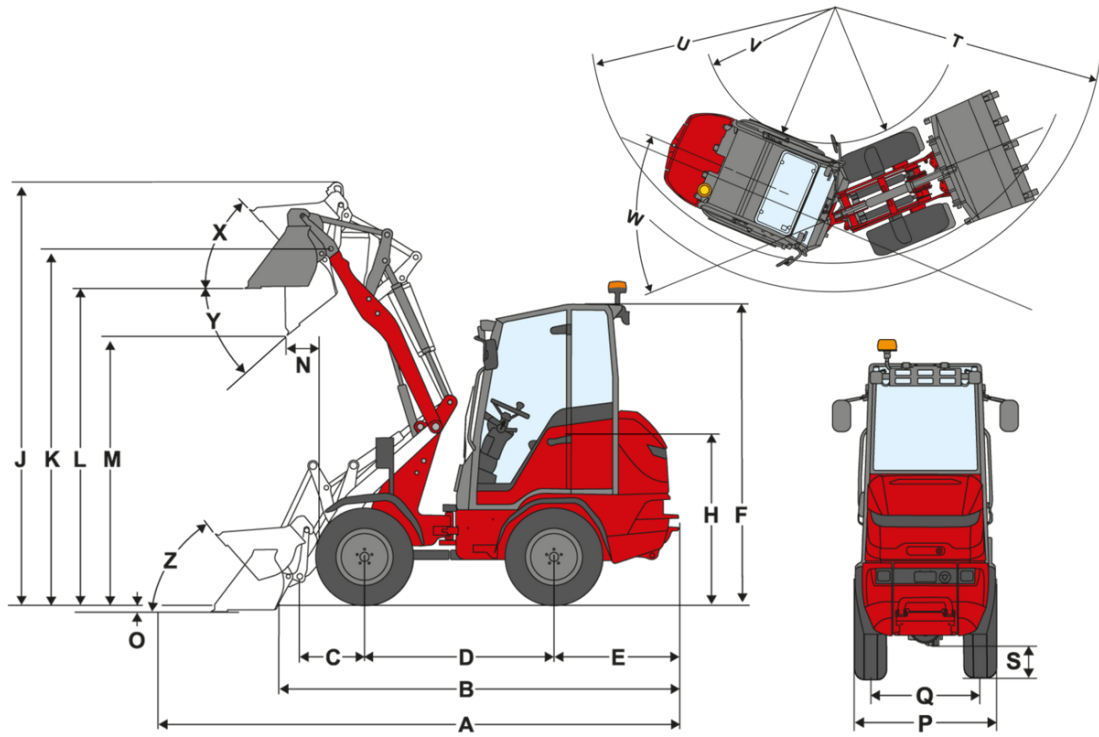
Average sound power level LwA (operator's canopy)	99.9 dB(A)
Guaranteed sound power level LwA (operator's canopy)	101 dB(A)
Specified sound pressure level LpA (operator's canopy)	84 dB(A)

Average sound power level LwA (cabin)	99.9 dB(A)
Guaranteed sound power level LwA (cabin)	101 dB(A)
Specified sound pressure level LpA (cabin)	79 dB(A)

■ **Other information**

FSD = operator's canopy
 eps = Easy Protection System (fold-down operator's canopy)
 DPF = diesel particulate filter
 DOC = diesel oxidation catalyst
 Tipping load calculation pursuant to ISO 14397

Dimensions



		P-kinematics (Standard)	P-kinematics (long)
A	Total length	159.6 in	168.3 in
B	Total length without bucket	130.7 in	139.6 in
C	Bucket pivot point (to center of axle)	21.0 in	29.8 in
D	Wheel base	63.9 in	63.9 in
E	Rear overhang	41.5 in	41.5 in
F	Height with operator's canopy fixed	88.8 in	88.8 in
	Height with fold-down operator's canopy (eps)	93.4 in	93.4 in
F	Height with fold-down operator's canopy, folded down (eps)	73.1 in	73.1 in
	Height with cab	89.8 in	89.8 in
H	Seat height	52.0 in	52.0 in
J	Total working height	136.3 in	146.1 in
K	Bucket pivot point (max. lift height)	113.1 in	122.8 in
L	Load-over height	100.2 in	111.0 in
M	Dumping height	81.4 in	93.7 in
N	Reach (at M)	10.4 in	13.0 in
O	Digging depth	1.5 in	4.3 in
P	Total width	41.1 in	41.1 in
Q	Track width	30.7 in	30.7 in
S	Ground clearance	9.1 in	9.1 in
T	Maximum radius	112.0 in	116.2 in
U	Radius on the outer edge	100.2 in	100.2 in
V	Inner radius	56.0 in	56.0 in
W	Articulation angle	45 °	45 °
X	Rollback angle at max. lift height	47 °	52 °
Y	Dumping angle	44 °	36 °
Z	Rollback angle on ground	48 °	47 °