



## DT05

### Track Dumper

#### The space saver

It really comes into its own in conditions where space is tight and maneuverability is a must. Its very compact dimensions allow driving through a normal 80cm-wide door with no problem. Easy processing and intuitive functions ensures low service and operating costs. The powerful drive system reliably takes the machine where it needs to go, even with a full skip and operator.

## Highlights

- Hydrostatic drive
- Small dimensions
- Diesel or gasoline engine
- Hanging suspension-mounted rollers
- Smooth ride characteristics

## Technical Data

### Hydraulic

Hydraulic pump	<input type="checkbox"/> ZRP
Flow rate max.	30.0 l/min

### Mechanical - Output Details

Travel speed	3.9 km/h
--------------	----------

### Mechanical Details

Length	1,630.0 mm
Width	660.0 mm
Height	1,185.0 mm
Weight	370.00 kg
Payload max.	500.0 kg
Skip	<input type="checkbox"/> Front tip skip
Skip capacity levelled	273.0 l
Skip capacity heaped	313.0 l
Operating weight (min.-max.)	495.0 - 620.0 kg

### Engine

Cooling	<input type="checkbox"/> air cooling
---------	--------------------------------------

Engine type	<input type="checkbox"/> Gasoline engine
Cylinder capacity	196.0 cm <sup>3</sup>
Inclined position max.	20.0 °
Effective power	4.5 kW
Nominal Engine speed	3,600.0 1/min
Engine Manufacturer	<input type="checkbox"/> Honda
Engine Designation	<input type="checkbox"/> GX200
Stroke	54.0 mm
Bore	68.0 mm

### Environment Data

Sound level LpA	83.0 dB(A)
Sound level LpA (Standard)	<input type="checkbox"/> ISO 6396
Sound power LWA, guaranteed	99.0 dB(A)
Sound power LWA (Standard)	<input type="checkbox"/> ISO 6395

### Shipping and Storage

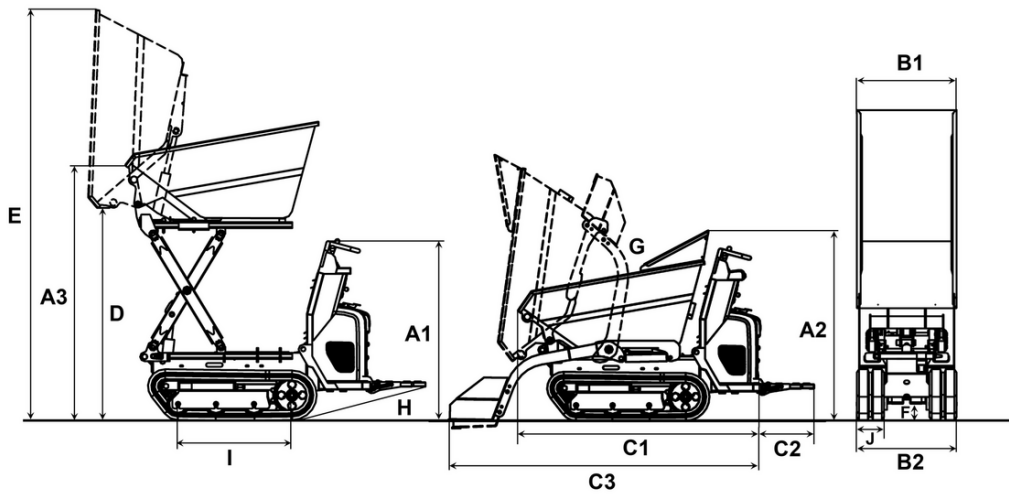
Shipping weight	420.0 kg
-----------------	----------

## Available engines

### ■ 4,8 kW Diesel engine with electric starter

Engine type	Diesel engine
Cylinder	1
Cylinder capacity	320 cm <sup>3</sup>
Effective power	4.8 KW
Engine Manufacturer	Yanmar
Engine Designation	L70N6
Stroke	67 mlai
Bore	78 mlai

## Dimensions



		Front tip skip	High tip skip
A1	Height above operator's stand	1,185 mm	1,185 mm
A2	Height over skip hand guard	1,310 mm	
A3	Height front edge of skip	760 mm	993 mm
	Height front edge of high tip skip raised		1,600 mm
B1	Width of skip	660 mm	660 mm
	Width of steering position	589 mm	660 mm
B2	Width of undercarriage	660 °	660 mm
	Width with self-loading equipment	700 mm	
C1	Total length without footboard	1,670 mm	1,550 mm
C2	Length footboard	365 mm	387 mm
C3	Length with self-loading equipment, without footboard	2,149 mm	
D	Dumping height max.	410 mm	1,397 mm
	Dumping height max., high tip skip raised		1,397 mm
E	Skip height tilted	1,827 mm	
	Skip height tilted, high tip skip raised		2,500 mm
F	Ground clearance	110 mm	110 mm
G	Dumping angle	72 °	77 °
H	Rollback angle footboard	15 °	14 °
I	Length chain stand	753 mm	753 mm