



## DW30

### Wheel Dumper

Safe operation, comfortable transportation.

The DW30 provides the ideal harmonization of high safety standards and extensive equipment for many application options. Whether with a cabin or roll bar, with concrete skip or swivel tip skip: it is individually adaptable ex works, making it a real all-rounder for any construction site. It simultaneously provides a 3-ton payload at low dimensions, which means it can be efficiently applied, even in areas that are more difficult to access. For the precise placement of materials in concreting works, the optional concrete skip is equipped with a pouring pan. The DW30 provides a very high level of safety equipment both as standard and across all available versions.

### Highlights

- Skip monitoring
- Inclination monitoring
- Seat belt monitoring with start release
- Hydrostatic 4-wheel drive
- Concrete skip

### Technical Data

#### Hydraulic

Operating pressure hydraulics	2,175.0 psi
Hydraulic pump	ZRP
Flow rate	6.1 gal/mi

#### Mechanical - Output Details

Travel speed	12.4 m/H
--------------	----------

#### Mechanical Details

Length	153.8 "
Width	68.1 "
Height	110.2 "
Payload	6,613.9 lb
Skip	Swivel skip
Skip capacity levelled	1.7 yd <sup>3</sup>
Skip capacity heaped	2.3 yd <sup>3</sup>
Skip capacity waterlevel	1.3 yd <sup>3</sup>
Pendulum angle	12.0 °
Operating weight (min.-max.)	4,515.1 - 5,524.8 lb

#### Engine

Cooling	Water-cooling
Engine type	Diesel engine

Cylinder	3.0
Cylinder capacity	68.1 Inch <sup>3</sup>
Inclined position max.	25.0 °
Fuel	HVO EN15940
Effective power	25.3 hp
Nominal Engine speed	3,000.0 1/min
Exhaust-gas limit	EU Stage V
Starter battery Voltage	12.0 V
Engine Manufacturer	Yanmar
Engine Designation	3TNV76-UDWN

#### Environment Data

Sound power LWA, guaranteed	101.0 dB(A)
-----------------------------	-------------

#### Chassis

Turning radius	156.7 "
Articulation angle	36.0 °
Traction drive	Swash plate motor
Hydraulic Pump	Gear pump
Operating pressure	6,525.0 psi
Flow rate	17.4 gal/mi
Tires	11.5/80-15,3 14PR 126 A8

The illustrations, equipment and data shown may deviate from the current delivery program of your country. Optional equipment subject to additional charge may be shown. Subject to changes.

■ Shipping and Storage

Shipping weight

4,722.3 lb

## Available engines

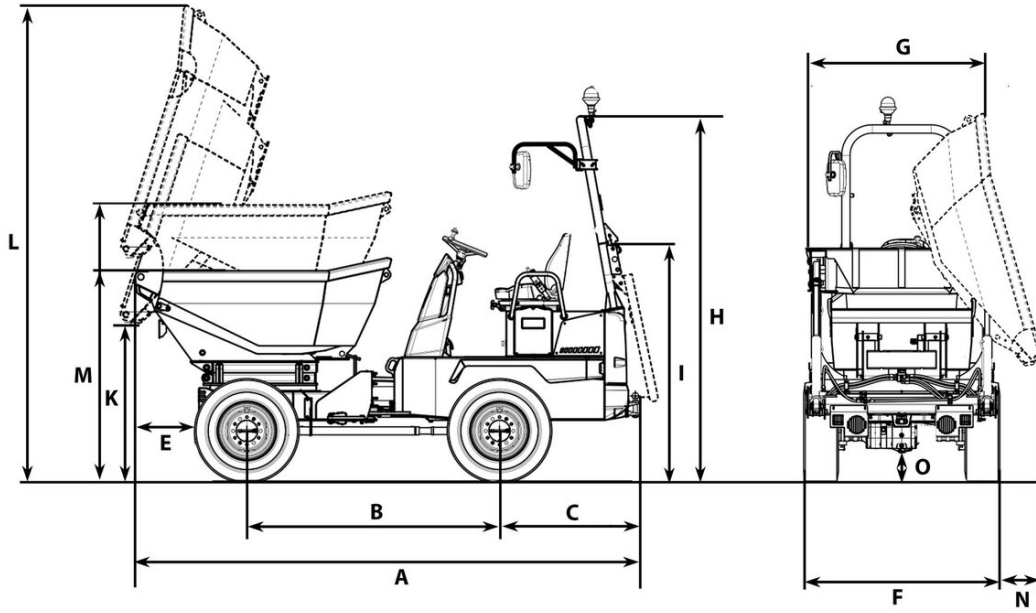
### ■ 36 kW Diesel engine (Stage 5)

Cylinder capacity	101.5 Inch3
Effective power	48.3 hp
Stroke	3.9 "
Bore	3.3 "
Cooling	Water-cooling
Engine type	Diesel engine
Cylinder	3
Exhaust-gas limit	EU Stage V
Engine Manufacturer	Perkins
Engine Designation	403J-E17T

### ■ 18,9 kW Diesel engine (Stage 5)

Cylinder capacity	68.1 Inch3
Effective power	25.3 hp
Stroke	3.2 "
Bore	3 "
Cooling	Water-cooling
Engine type	Diesel engine
Cylinder	3
Exhaust-gas limit	EU Stage V
Engine Manufacturer	Yanmar
Engine Designation	3TNV76-UDWN2

## Dimensions



		Swivel tip skip	High swivel tip skip	Concrete skip
A	Total length	153.7 in	163.6 in	192.5 in
B	Wheel base	76.6 in	82.3 in	82.3 in
C	Rear overhang	40.9 in	42.2 in	45.5 in
E	Dumping width	19 in	19.4 in	47.7 in
F	Width of vehicle	68.1 in	70.1 in	70.1 in
G	Width of skip	68.1 in	68.1 in	68.5 in
H	Height ROPS	109.4 in	112.6 in	112.6 in
I	Height of ROPS tilted	75.3 in	76.6 in	76.6 in
J	Height with cab	105.1 in	105.1 in	105.1 in
K	Dumping height max.	39.1 in	49.9 in	14.3 in
L	Skip height tilted	121.3 in	154.1 in	119.7 in
M	Skip height	58.1 in	64.5 in	66.9 in
	Skip height tilted, high swivel tip skip raised		87.1 in	
N	Dumping width lateral	9.3 in	6.4 in	27.6 in
O	Ground clearance	10.1 in	10.1 in	10.1 in