



**WACKER
NEUSON**
all it takes!

ET42

Tracked Conventional Excavator

The boost for every construction site

Full speed ahead: the ET42 mini-excavator combines proven technology with a large dose of innovation to lead the 4-metric ton class. It has the usual high lifting and digging forces, as well as fast work cycles. Thanks to modern technologies, emissions are reduced while efficiency is increased. The ET42's powerful engine meets Stage V emissions standards. The intuitive operating concept means this powerhouse is both user-friendly and comfortable for the operator, while offering an excellent view of the working area.

Highlights

- Flexible cylinder rod protection
- Load Sensing Flow Sharing
- Vertical Digging System VDS+
- 3-point kinematics
- Active Working Signal (AWS)

Technical Data

Hydraulic

Operating pressure hydraulics	245.0 bar
Hydraulic pump	Axial piston pump
Flow rate max.	90.0 l/min

Mechanical - Output Details

Nominal rotation speed	36.0 1/min
Travel speed	4.8 km/h

Mechanical Details

Length	5,594.0 mm
Width	1,750.0 mm
Height	2,608.0 mm
Weight	3,817.00 kg
Operating weight (min.-max.)	4,032.0 - 5,206.0 kg
Digging depth (max.)	3,544.0 mm

Engine

Cooling	Water-cooling
---------	---------------

Engine type	Diesel engine
Cylinder	3.0
Cylinder capacity	1,662.0 cm ³
Inclined position max.	30.0 °
Fuel	HVO EN15940
Effective power	32.5 KW
Nominal Engine speed	2,000.0 1/min
Exhaust-gas limit	EU Stage V
Battery capacity (nom. value)	77.0 Ah
Engine Manufacturer	Perkins
Engine Designation	403J-E17T

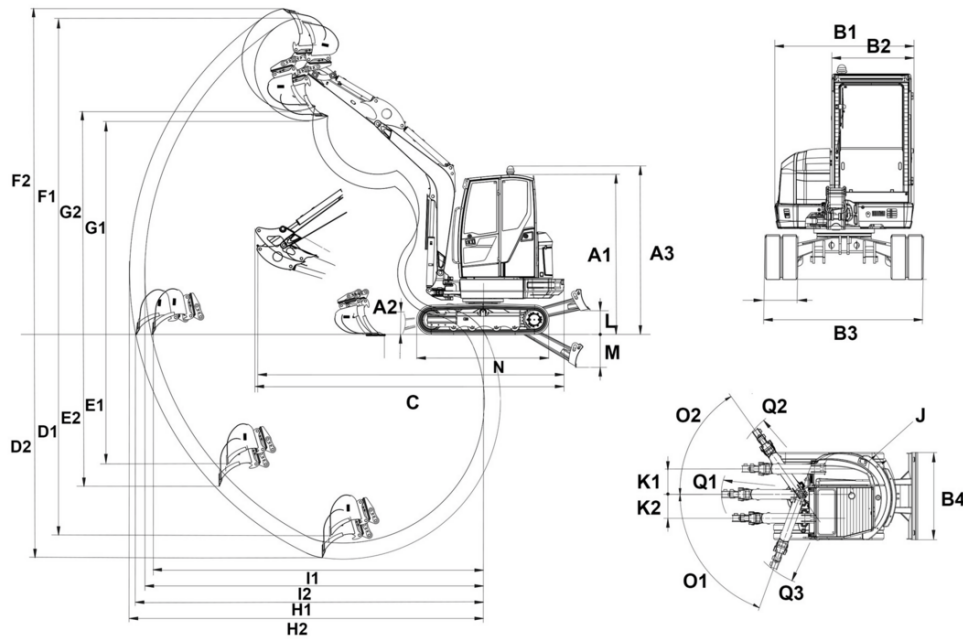
Environment Data

Sound power LWA, guaranteed	97.0 dB(A)
-----------------------------	------------

Shipping and Storage

Shipping weight	3,817.0 kg
-----------------	------------

Dimensions



A1	Height with cab	2,494 mm
A2	Height of dozer blade	360 mm
A3	Total height of cabin with rotating beacon	2,608 mm
B1	Width of upper carriage	1,720 mm
B2	Width of cab	980 mm
B3	Width travel gear	1,750 mm
B4	Width of dozer blade	1,750 mm
C	Transport length short shovel arm	5,146 mm
	Transport length long shovel arm	5,152 mm
D1	Digging depth max., short shovel arm	3,344 mm
D2	Digging depth max., long shovel arm	3,544 mm
E1	Piercing depth max., short shovel arm	2,114 mm
E2	Piercing depth max., long shovel arm	2,293 mm
F1	Piercing height max., short shovel arm	5,210 mm
F2	Piercing height max., long shovel arm	5,340 mm
G1	Dumping height max., short shovel arm	3,573 mm
G2	Dumping height max., long shovel arm	3,703 mm
H1	Digging radius max., short shovel arm	5,489 mm
H2	Digging radius max., long shovel arm	5,678 mm
I1	Max. reach at ground level (short shovel arm)	5,376 mm
I2	Max. reach at ground level (long shovel arm)	5,570 mm
J	Tail swing radius	1,335 mm
K1	Boom offset max. (to center of bucket right side)	493 mm
K2	Boom offset max. (to center of bucket left side)	532 mm
L	Stacking height max. (dozer blade above surface)	418 mm
M	Digging depth max. (dozer blade below surface)	563 mm
N	Length travel drive	2,198 mm
O1	Max. swivel angle (arm system to the left)	70 °
O2	Max. swivel angle (arm system to the right)	55 °
Q1	Boom swing radius center	2,175 mm
Q2	Boom swing radius right	2,061 mm
Q3	Boom swing radius left	1,820 mm