



# 4060

## Wheel loader

### Technical data

#### ■ Standard engine data

Engine manufacturer	Rehiko
Motor type	KDI 2504 TCR
Cylinder	4
Drive output	55.4 kW
Drive output	74.3 HP
at max. rpm	2,300 rpm
Cylinder capacity	151.46 in <sup>3</sup>
Type of coolant	Water
Exhaust standard level	V
Exhaust aftertreatment	DOC/DPF

#### ■ Electrical system

Operating voltage	12 V
Battery	100 Ah
Alternator	120 A

#### ■ Weights

Operating weight	12,699 - 13,404 lb
Thrust force (max.)	5,950 daN
Lift capacity (max.)	4,190 daN
Tipping load with bucket – machine straight, loading frame horizontal	7,099 - 7,606 lb
Tipping load with bucket – machine pivoted, loading frame horizontal	6,085 - 6,526 lb
Tipping load with bucket - machine straight, loading frame in lowest position	9,326 - 9,987 lb
Tipping load with bucket - machine pivoted, loading frame in lowest position	8,025 - 8,598 lb
Tipping load with pallet fork – machine straight, loading frame horizontal	6,327 - 6,768 lb
Tipping load with pallet fork – machine pivoted, loading frame horizontal	5,467 - 5,842 lb

Tipping load with pallet fork - machine straight, transport position 7,363 - 7,848 lb

Tipping load with pallet fork - machine pivoted, transport position 6,371 - 6,812 lb

#### ■ Driver's cab

Driver's cab	Cab
--------------	-----

#### ■ Filling levels

Tank capacity for fuel	21.13 US gal
Tank capacity for hydraulic oil	8.45 US gal

#### ■ Drive system

Type of drive	ecDrive (Electronic Controlled Drive)
drive unit	hydrostatic via transfer gearbox and universal joint shaft
Speed levels	2
Axle	PA 1422
Travel speed Standard	0-12.43 mph
Travel speed Option 1	0-18.64 mph
Operating brake	Disc brakes (option: multi-disc brakes)
Parking brake	Disc brakes (option: multi-disc brakes)
Differential lock	100 % front axle + rear axle

#### ■ Hydraulic system

Drive hydraulics working pressure (max.)	7,252 psi
Work hydraulics discharge volume (max.)	20.34 (25.10) gpm
Work hydraulics working pressure (max.)	3,408 psi

#### ■ Kinematics

Kinematics type	Z
Lifting cylinder	1
Tipping cylinder	1
Quick change system	hydraulic

## ■ Steering

Steering type	hydraulically activated articulated pendulum steering
Steering cylinder	1
Oscillating angle	± 10 degree

## ■ Noise characteristic values

Average sound power level LwA (cabin)	99.8 dB(A)
---------------------------------------	------------

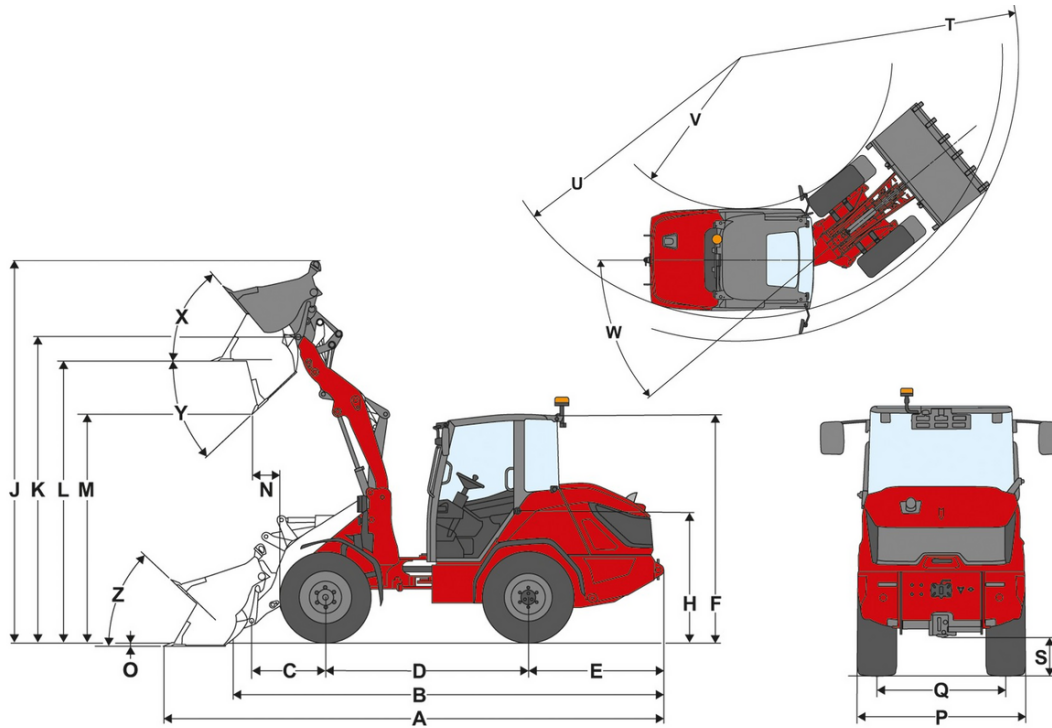
Guaranteed sound power level LwA (cabin) 101 dB(A)

Specified sound pressure level LpA (cabin) 71 dB(A)

## ■ Other information

DPF = diesel particulate filter  
DOC = diesel oxidation catalyst  
SCR = selective catalytic reduction  
Tipping load calculation pursuant to ISO 14397

## Dimensions



A	Total length	240.7 in
B	Total length without bucket	207.7 in
C	Bucket pivot point (to center of axle)	60.2 in
D	Wheel base	84.6 in
E	Rear overhang	56.5 in
F	Height with cab	99.8 in
H	Seat height	59.4 in
J	Total working height	180.3 in
K	Bucket pivot point (max. lift height)	145.7 in
L	Load-over height	135.8 in
M	Dumping height	110.8 in
N	Reach (at M)	41.9 in
O	Digging depth	3.1 in
P	Total width	69.7 in
Q	Track width	53.5 in
S	Ground clearance	15.4 in
T	Maximum external radius	182.9 in
U	Radius on the outer edge	157.1 in
V	Inner radius	82.7 in
W	Articulation angle	40 °
X	Rollback angle at max. lift height	63 °
Y	Dumping angle	45 °
Z	Rollback angle on ground	47 °