



## ET58

### Tracked Conventional Excavator

Powerful, comfortable and safer

Full speed ahead: The ET58 mini excavator combines proven technology with a large dose of innovation to become a champion in the 5-6-metric-ton class. It has the usual high lifting and digging forces as well as fast work cycles. Thanks to the latest technologies, emissions have been reduced and efficiency has been increased at the same time. The powerful engine meets the Stage 5 emission standards. The excavator also makes an impression in terms of user-friendliness. Work is easy and comfortable due to the intuitive operating concept and the excellent view of the working area.

## Highlights

- Flexible cylinder rod protection
- 3-point kinematics
- Active Working Signal (AWS)
- Up to 5 additional control circuits ex work
- Load Sensing Flow Sharing

## Technical Data

### Hydraulic

Operating pressure hydraulics	245.0 bar
Hydraulic pump	Axial piston pump
Flow rate	126.0 l/min
Flow rate max.	132.0 l/min

### Mechanical - Output Details

Travel speed	4.4 km/h
--------------	----------

### Mechanical Details

Length	6,050.0 mm
Width	1,960.0 mm
Height	2,667.0 mm
Weight	4,617.00 kg
Operating weight (min.-max.)	5,052.0 - 6,386.0 kg
Digging depth (max.)	4,017.0 mm

### Engine

Cooling	Water-cooling
Engine type	Diesel engine

Cylinder	3.0
Cylinder capacity	1,662.0 cm <sup>3</sup>
Inclined position max.	30.0 °
Fuel	HVO EN15940
Effective power	33.5 KW
Nominal Engine speed	2,100.0 1/min
Exhaust-gas limit	EU Stage V
Battery capacity (nom. value)	77.0 Ah
Engine Manufacturer	Perkins
Engine Designation	403J-E17T

### Environment Data

Sound power LWA, guaranteed	97.0 dB(A)
-----------------------------	------------

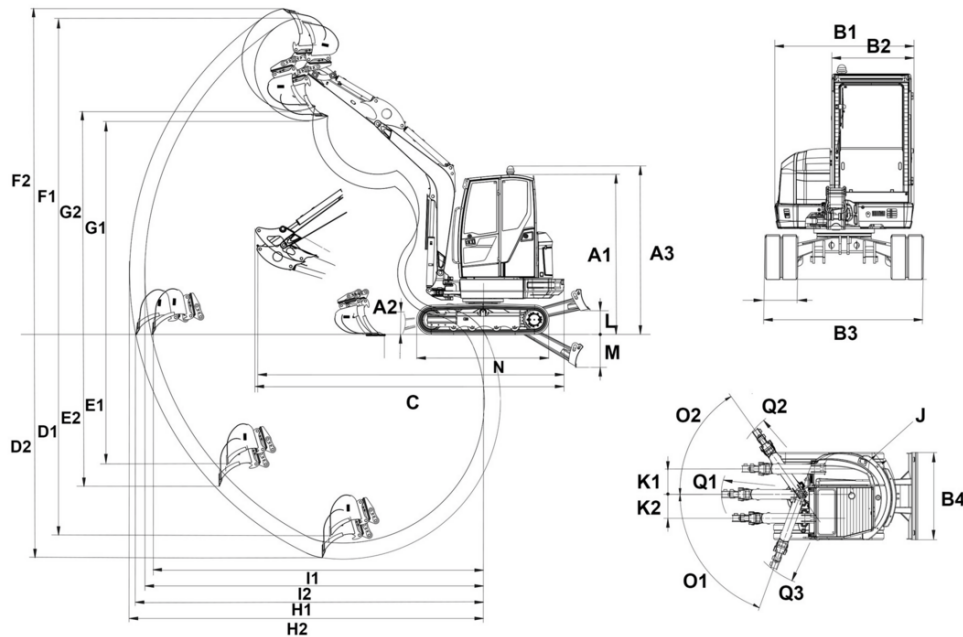
### Chassis

Traction drive	Axial piston motor with RGU
----------------	-----------------------------

### Shipping and Storage

Shipping weight	4,817.0 kg
-----------------	------------

## Dimensions



		Standard dozer blade	Swiveling dozer blade
A1	Height with cab	2,550 mm	2,550 mm
A2	Height of dozer blade	428 mm	
A3	Total height with rotating beacon	2,661 mm	2,661 mm
B1	Width of upper carriage	1,719 mm	1,719 mm
B2	Width of cab	980 mm	980 mm
B3	Width travel gear	1,960 mm	1,960 mm
B4	Width of dozer blade	1,960 mm	1,960 mm
C	Transport length short shovel arm	5,455 mm	5,455 mm
	Transport length long shovel arm	5,446 mm	5,446 mm
D1	Digging depth max., short shovel arm	3,767 mm	3,767 mm
D2	Digging depth max., long shovel arm	4,017 mm	4,017 mm
E1	Piercing depth max., short shovel arm	2,708 mm	2,708 mm
E2	Piercing depth max., long shovel arm	2,945 mm	2,945 mm
F1	Piercing height max., short shovel arm	5,749 mm	5,749 mm
F2	Piercing height max., long shovel arm	5,910 mm	5,910 mm
G1	Dumping height max., short shovel arm	3,834 mm	3,834 mm
G2	Dumping height max., long shovel arm	3,995 mm	3,995 mm
H1	Digging radius max., short shovel arm	6,039 mm	6,039 mm
H2	Digging radius max., long shovel arm	6,277 mm	6,277 mm
I1	Max. reach at ground level (short shovel arm)	5,920 mm	5,920 mm
I2	Max. reach at ground level (long shovel arm)	6,164 mm	6,164 mm
J	Tail swing radius	1,312 mm	
	Tail swing radius with tail weight	1,417 mm	
K1	Boom offset max. (to center of bucket right side)	551 mm	551 mm
K2	Boom offset max. (to center of bucket left side)	583 mm	583 mm
L	Stacking height max. (dozer blade above surface)	414 mm	461 mm
M	Digging depth max. (dozer blade below surface)	439 mm	486 mm
N	Length travel drive	2,509 mm	2,509 mm
O1	Max. swivel angle (arm system to the left)	70 °	70 °
O2	Max. swivel angle (arm system to the right)	55 °	55 °
Q1	Boom swing radius center	2,409 mm	2,409 mm
Q2	Boom swing radius right	2,275 mm	2,275 mm
Q3	Boom swing radius left	2,022 mm	2,022 mm

The illustrations, equipment and data shown may deviate from the current delivery program of your country. Optional equipment subject to additional charge may be shown. Subject to changes.