



## EZ17

### Tracked Zero Tail Excavators

Perfect for tight construction sites.

The EZ17 compact excavator is the most powerful zero tail excavator in its class. The large-volume diesel engine, LUDV (Load Sensing System) and an innovative cooling system provide the highest levels of performance and efficiency. The compact and durable design guarantees a long service life. Ideal for use in tight construction sites; the EZ17 combines power and precision for maximum productivity.

## Highlights

- Powerful drive system with LUDV
- 100 % Zero Tail
- 2 lifting eyes on the roof
- Easy transportation by car trailer
- Optimally protected neck and lift arm cylinder

## Technical Data

### Hydraulic

Operating pressure hydraulics	3,480.0 psi
Hydraulic pump	• Axial piston displacement pump
Flow rate	10.3 gal/mi
Tank capacity	6.1 gal US

### Mechanical - Output Details

Travel speed	2.8 m/H
--------------	---------

### Mechanical Details

Length	141.0 "
Width	39.0 - 51.2 "
Height	93.3 "
Operating weight (min.-max.)	3,800.8 - 4,160.1 lb
Digging depth (max.)	102.0 "

### Engine

Inclined position max.	25.0 °
Fuel	• HVO EN15940
Oil filling max.	1.2 gal US

Effective power	18.5 hp
Nominal Engine speed	2,200.0 1/min
Starter battery Voltage	12.0 V
Battery capacity (nom. value)	30.0 Ah
Stroke	84.0 mm
Bore	80.0 mm

### Environment Data

Sound power LWA, guaranteed	93.0 dB(A)
-----------------------------	------------

### Operating Fluids

Oil specification	• SAE 10W-40
Cooling fluid volume	6.0 qt US
Hydraulic fluid volume	24.9 qt US

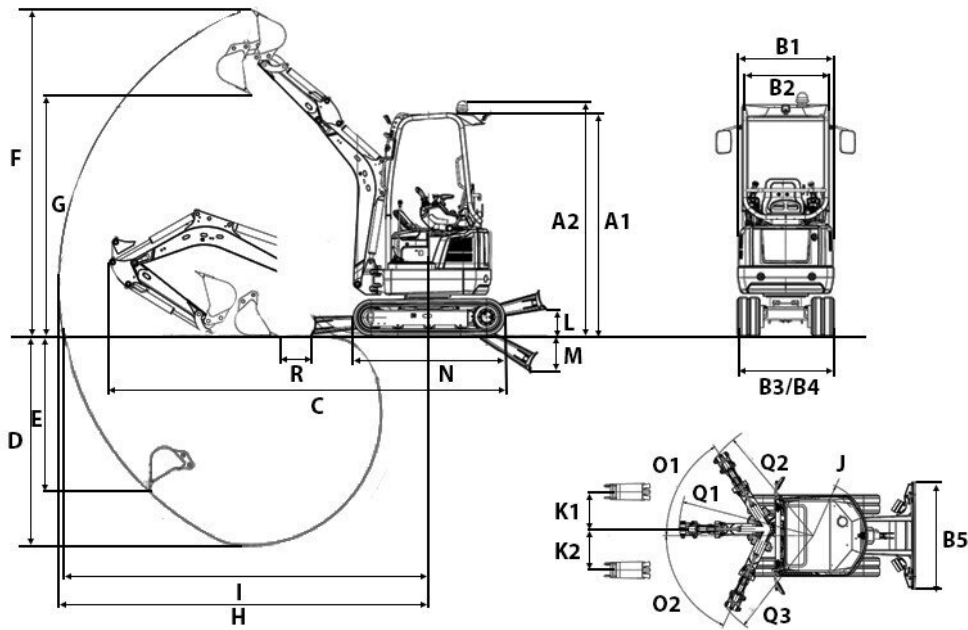
### Chassis

Traction drive	• axial piston motor
Operating pressure	3,480.0 psi

### Shipping and Storage

Shipping weight	3,516.4 - 3,891.2 lb
-----------------	----------------------

## Dimensions



		Short dipper stick	Long dipper stick
A1	Height	93 in	
A2	Total height of cabin with rotating beacon	99.9 in	
B1	Width of upper carriage	38.6 in	
B2	Width of cab	34.8 in	
B3	Width travel gear extended	51.2 in	
B4	Width travel gear retracted	39 in	
C	Transport length	141.1 in	139.8 in
D	Digging depth max.	91.6 in	97.9 in
E	Piercing depth max.	67.4 in	73.3 in
F	Piercing height max.	136.3 in	140.8 in
G	Dumping height max.	95.9 in	100.4 in
H	Digging radius max.	153.5 in	159.4 in
I	Max. reach at ground level	151.5 in	157.6 in
J	Tail swing radius	26 in	
	Tail swing radius with tail weight	28.5 in	
K1	Boom offset max. (to center of bucket right side)	21 in	
K2	Boom offset max. (to center of bucket left side)	16.5 in	
L	Stacking height max. (dozer blade above surface)	10.7 in	
M	Digging depth max. (dozer blade below surface)	15.4 in	
N	Length travel drive	63.3 in	
O1	Max. swivel angle (arm system to the right)	57 °	
O2	Max. swivel angle (arm system to the left)	65 °	
Q1	Boom swing radius center	64.1 in	
Q2	Boom swing radius right	59.8 in	
Q3	Boom swing radius left	54 in	
R	Distance bucket dozer blade, short shovel arm	13.1 in	
	Distance bucket dozer blade, long shovel arm	10.2 in	