



EW100

Wheeled Excavator

Innovative thinking - the future of wheeled excavators

The EW100 sets new standards in terms of performance, safety and comfort, considerably ahead of just about every other wheeled excavator in a drag race. The collaboration of attachment management and assistance systems with an optimized field of vision around the machine could not be better adapted to everyday construction site work. And it is possible to operate every attachment without downtimes with twice as much auxiliary hydraulics power.

Highlights

- Very good all-round visibility
- Topmost performance in all areas
- Human Machine Interface
- Trailer operation
- Attachments interface

Technical Data

Hydraulic

Operating pressure hydraulics	4,350.0 psi
Flow rate	47.6 gal/mi

Mechanical - Output Details

Nominal rotation speed	1,900.0 1/min
Travel speed	18.6 m/H
Travel speed (Option)	24.8 m/H

Mechanical Details

Length	264.1 "
Width	96.5 "
Height	117.3 "
Operating weight	22,751.7 lb
Operating weight (min.-max.)	23,424.1 - 26,135.8 lb
Digging depth (max.)	195.6 "

Engine

Cooling	Water-cooling
Engine type	Turbodieselengine
Cylinder	4.0
Cylinder capacity	170.8 Inch3

Inclined position max.	30.0 °
Fuel	HVO EN15940
Effective power	74.3 hp
Nominal Engine speed	1,900.0 1/min
Maximum torque	222.2 lb/ft
Air cleaner	Dry air filter
Starter battery Voltage	12.0 V
Engine Manufacturer	Perkins
Engine Designation	904J-E28T
Stroke	110.0 mm
Bore	80.0 mm

Environment Data

Sound power LWA, guaranteed	98.0 dB(A)
Exhaust gas limit values	EU Stage V

Chassis

Operating pressure	6,380.0 psi
Flow rate	47.6 gal/mi

Shipping and Storage

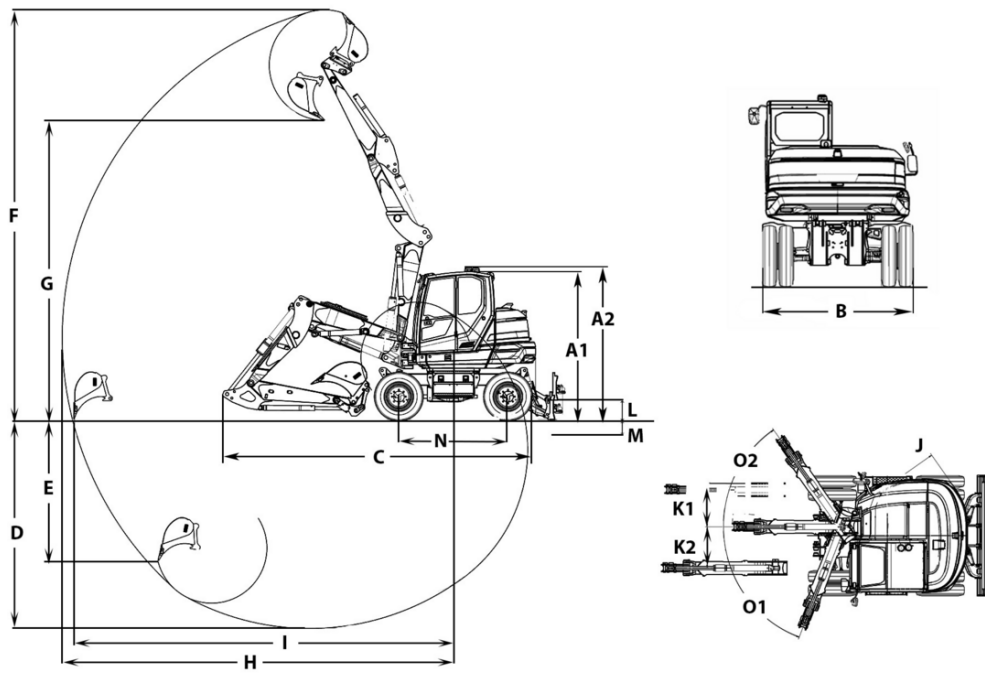
Shipping weight	22,751.7 lb
-----------------	-------------

Available engines

■ 100 kW Diesel engine (Stage 5)

Effective power	134.1 hp
Stroke	4.7 "
Bore	3.9 "
Cooling	Water-cooling
Engine type	Diesel engine
Cylinder	4
Exhaust-gas limit	EU Stage V
Engine Manufacturer	Perkins
Engine Designation	904J-E36TA

Dimensions



		Ballon tires	Twin tires with intermediate ring	Twin tires without intermediate ring
A1	Height with cab	116.7 in	117.3 in	116.9 in
	Height of dozer blade	19.5 in	19.5 in	19.5 in
A2	Total height of cabin with rotating beacon	120.4 in	121.0 in	120.7 in
B	Width travel gear	96.5 in	96.6 in	99.3 in
C	Transport length	248.6 in	248.6 in	248.6 in
D	Digging depth max.	165.8 in	165.8 in	
E	Piercing depth max.	112.5 in	112.5 in	112.5 in
F	Piercing height max.	325.3 in	325.3 in	325.3 in
G	Dumping height max.	219.8 in	219.8 in	219.8 in
I	Max. reach at ground level	301.6 in	301.6 in	301.6 in
J	Tail swing radius	66.5 in	66.5 in	66.5 in
K1	Boom offset max. (to center of bucket right side)	37.0 in	37.0 in	37.0 in
K2	Boom offset max. (to center of bucket left side)	24.6 in	24.6 in	24.6 in
L	Stacking height max. (dozer blade above surface)	15.4 in	15.4 in	15.4 in
M	Digging depth max. (dozer blade below surface)	5.4 in	5.4 in	5.4 in
N	Wheel base	86.6 in	86.6 in	86.6 in
O1	Max. swivel angle (arm system to the left)	70 °	70 °	70 °
O2	Max. swivel angle (arm system to the right)	55 °	55 °	55 °