



SW21 Skid Steer Loader

Power and Performance

The Wacker Neuson SW21 has the power and performance to take on the toughest jobs. Powered by 55 kW regeneration-free T4F engine, and available with High Flow hydraulics, the SW21 maximizes the performance of your hydraulic attachments.

Highlights

- Controls for Every Operator
- Maintenance and Filter Free After-treatment
- Expansive Maintenance Access

Technical Data

Hydraulic

Flow rate	76.0 l/min
Flow rate max.	114.0 l/min
Auxiliary relief pressure	241.0 bar

Mechanical - Output Details

Break Out Force Bucket	23,576.0 N
Break Out Force Lift Arm	22,241.0 N
Tractive Effort max. at 100% effective force	33,970.0 N
Bucket Roll Back	1.6 s
Bucket Roll Out	2.1 s
Lift Arm Raise	3.7 s
Lift arm lower	2.5 s
Travel speed stage 1	13.5 km/h
Travel speed stage 2	22.3 km/h

Mechanical Details

Overall Length without bucket	2,708.0 mm
Overall Length with Bucket	3,425.0 mm
Overall width without bucket	1,675.0 mm
Overall height to top of ROPS	2,070.0 mm
Overall height to top of ROPS with large tire option	2,108.0 mm

Bucket Hinge Pin Height	3,149.0 mm
Bucket hinge pin height with large tire option	3,187.0 mm
Bucket roll back at ground	30.0 °
Bucket roll back at maximum height	30.0 °
Angle of departure	24.0 °
Bucket dump height at maximum height	2,451.0 mm
Bucket dump height at maximum height (large tire option)	2,468.0 mm
Bucket dump angle at maximum height	42.0 °
Operating weight	2,953.0 kg
Ground Clearance (Large Tire Option)	230.0 mm
Ground clearance	192.0 mm
Dump reach at maximum height	962.0 mm
Wheelbase	1,104.0 mm

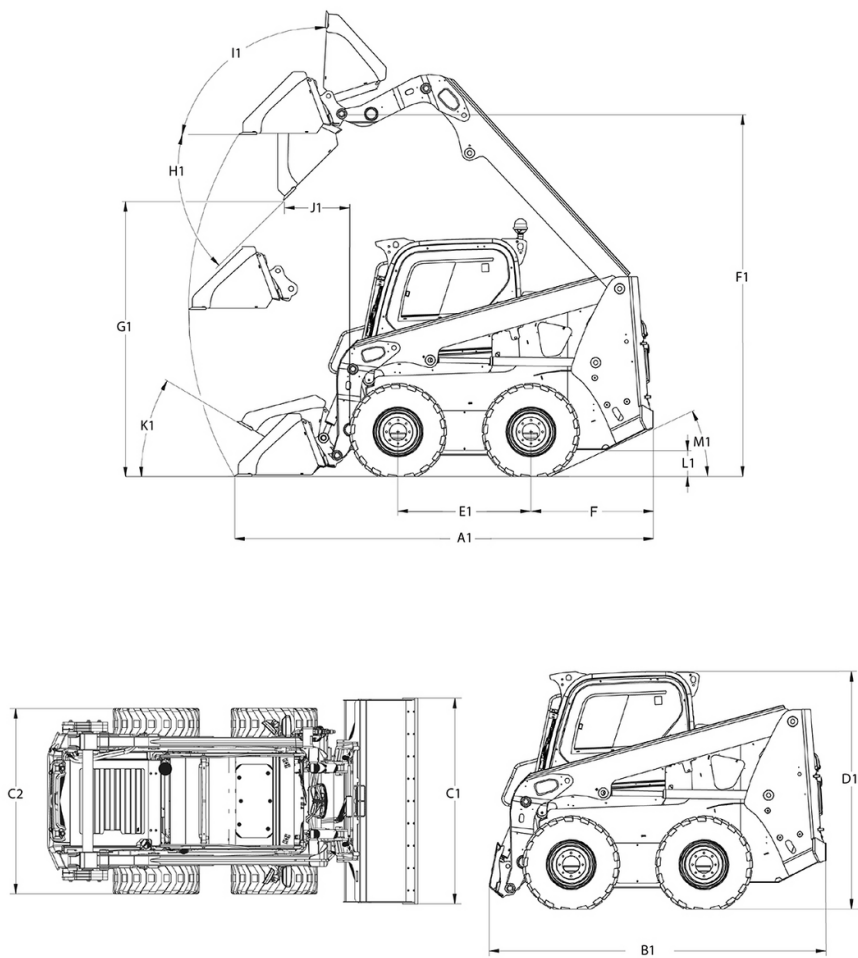
Operating Fluids

Fuel Tank capacity	124.0 l
--------------------	---------

Chassis

Tires	10 x 16,5
Tip Load	1,905.0 kg
Rated Operating Capacity at 50% Tip Load	952.0 kg
Rated Operating Capacity at 35% Tip Load	666.0 kg

Dimensions



A1	Overall length with bucket	3,425 mm
B1	Overall length without bucket	2,708 mm
C2	Overall width without bucket	1,675 mm
D1	Overall height	2,070 mm
E1	Wheelbase	1,104 mm
F1	Hinge pin height	3,150 mm
G1	Dump height max.	2,450 mm
H1	Dump angle	42 °
I1	Bucket rollback at max. stroke height	30 °
J1	Dump reach	963 mm
K1	Bucket rollback at ground level	30 °
M1	Angle of departure	24 °