



2060 Wheel loaders

Technical Data

■ Standard engine data

Engine manufacturer	Rehiko
Motor type	KDI 1903 TCR
Cylinder	3
Drive output	42 kW
Drive output	56.3 HP
at max. rpm	2,600 rpm
Cylinder capacity	113.57 in ³
Type of coolant	Water
Exhaust standard level	V
Exhaust aftertreatment	DOC/DPF

■ Electrical system

Operating voltage	12 V
Battery	100 Ah
Alternator	120 A

■ Weights

Operating weight	8,201 - 9,326 lb
Thrust force (max.)	4,320 daN
Lift capacity (max.)	3,925 daN
Tipping load with bucket – machine straight, loading frame horizontal	6,415 - 7,738 lb
Tipping load with bucket – machine pivoted, loading frame horizontal	5,622 - 6,768 lb
Tipping load with bucket - machine straight, loading frame in lowest position	9,700 lb
Tipping load with bucket - machine pivoted, loading frame in lowest position	8,510 - 10,207 lb
Tipping load with pallet fork – machine straight, loading frame horizontal	5,313 - 6,371 lb
Tipping load with pallet fork – machine pivoted, loading frame horizontal	4,652 - 5,578 lb
Tipping load with pallet fork - machine straight, transport position	6,327 - 7,584 lb
Tipping load with pallet fork - machine pivoted, transport position	5,556 - 6,658 lb

■ Driver's cab

Driver's cab	FSD (cabin)
--------------	-------------

■ Filling levels

Tank capacity for fuel	21.13 US gal
Tank capacity for hydraulic oil	8.45 US gal

■ Drive system

Type of drive	ecDrive (Electronic Controlled Drive)
drive unit	hydrostatic via transfer gearbox and universal joint shaft
Speed levels	2
Axle	PA 1200
Travel speed Standard	0-12.43 mph
Travel speed Option 1	0-18.64 mph
Operating brake	Drum brake (option: multi-disc brakes)
Parking brake	Drum brake (option: multi-disc brakes)
Differential lock	100 % front axle + rear axle

■ Hydraulic system

Drive hydraulics working pressure (max.)	7,252 psi
Work hydraulics discharge volume (max.)	15.59 (19.58) gpm
Work hydraulics working pressure (max.)	3,408 psi

■ Kinematics

Kinematics type	PZ
Lifting cylinder	2
Tipping cylinder	1
Quick change system	hydraulic

■ Steering

Steering type	hydraulically activated articulated pendulum steering
Steering cylinder	1
Oscillating angle	± 10 degree

■ Noise characteristic values

Average sound power level LwA (operator's canopy)	99.9 dB(A)
---	------------

Guaranteed sound power level LwA (operator's canopy) 101 dB(A)

Specified sound pressure level LpA (operator's canopy) 70 dB(A)

Average sound power level LwA (cabin) 99.9 dB(A)

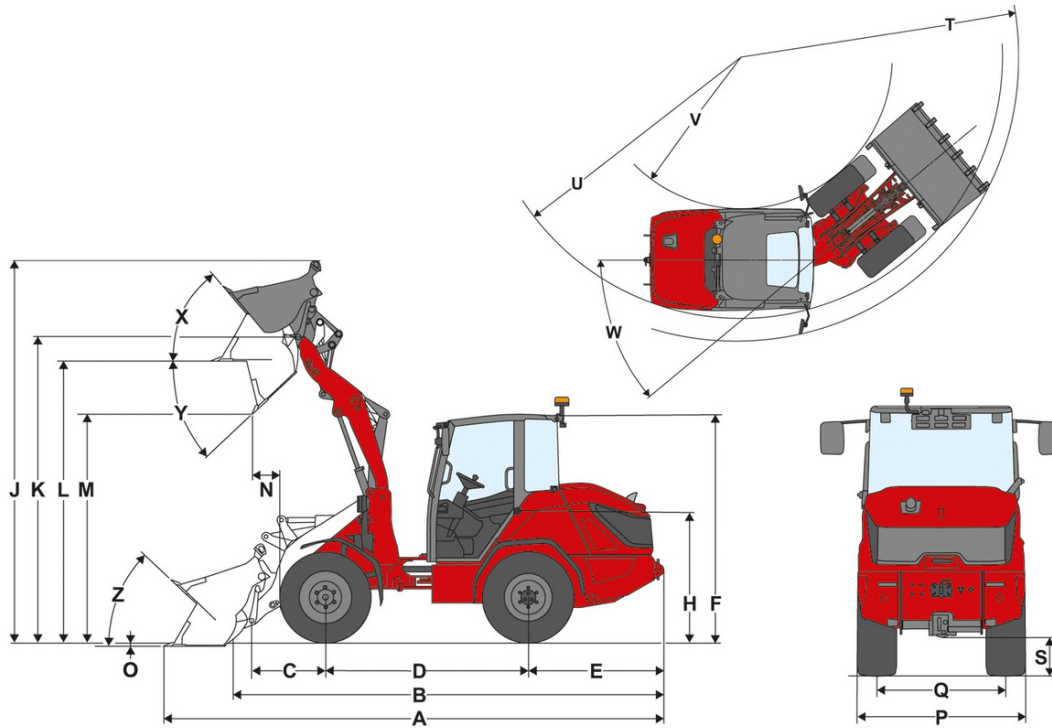
Guaranteed sound power level LwA (cabin) 101 dB(A)

Specified sound pressure level LpA (cabin) 69 dB(A)

■ **Other information**

FSD = operator's canopy
DPF = diesel particulate filter
DOC = diesel oxidation catalyst
SCR = selective catalytic reduction
Tipping load calculation pursuant to ISO 14397

Dimensions



	Standard components	365 / 70 R 18 BKT MP513 ET20
A	Total length	208.5 in
B	Total length without bucket	176.4 in
C	Bucket pivot point (to center of axle)	30.9 in
D	Wheel base	84.6 in
E	Rear overhang	56.5 in
F	Height with lowered operator's canopy	92.3 in
	Height with operator's canopy raised	95.5 in
	Height with cab	95.5 in
H	Seat height	55.1 in
J	Total working height	160.0 in
K	Bucket pivot point (max. lift height)	127.6 in
L	Load-over height	117.3 in
M	Dumping height	95.1 in
N	Reach (at M)	11.4 in
O	Digging depth	1.4 in
P	Total width	59.8 in
Q	Track width	45.7 in
S	Ground clearance	13.6 in
T	Maximum radius	162.4 in
U	Radius on the outer edge	151.6 in
V	Inner radius	87.6 in
W	Articulation angle	40 °
X	Rollback angle at max. lift height	50 °
Y	Dumping angle	44 °
Z	Rollback angle on ground	43 °