



## DW60

### Wheel Dumper

The smooth power package for versatile applications

The DW60 represents one of the larger wheel dumpers from Wacker Neuson. Alongside the countless basic safety features, like skip and tilt monitoring, it also provides the right option for very particular applications: Whether turf tires for the protection of the subbase, or a comfort cab including heated seats, Bluetooth radio with hands-free, and air-conditioning system for all-weather use. The articulated joint and the hydrostatic drive system also make it a reliable work machine with a high tractive force, stability, and power, even with a full load.

### Highlights

- Hill-Hold function
- Inclination monitoring
- Hydrostatic 4-wheel drive with automatic ECO mode
- Seat belt monitoring with start release
- Active Sense Control

### Technical Data

#### Hydraulic

Operating pressure hydraulics	240.0 bar
Hydraulicpump	ZRP
Flow rate	59.0 l/min
Tank capacity	64.0 l

#### Mechanical - Output Details

Travel speed	25.0 km/h
Travel speed (Option)	25.0 km/h

#### Mechanical Details

Length	4,554.0 mm
Width	2,378.0 mm
Height	3,340.0 mm
Weight cabin	4,683.0 kg
Weight ROPS	4,483.0 kg
Payload	6,000.0 kg
Skip	Front tip skip
Skip capacity levelled	2,700.0 l
Skip capacity heaped	3,500.0 l
Skip capacity waterlevel	1,900.0 l
Pendulum angle	11.0 °
Operating weight (min.-max.)	3,799.0 - 4,611.0 kg

#### Engine

Cooling	Water-cooling
Engine type	Turbodieselengine
Cylinder	4.0
Cylinder capacity	2,200.0 cm <sup>3</sup>
Inclined position max.	20.0 °
Fuel	HVO EN15940
Effective power	44.5 KW
Nominal Engine speed	2,300.0 1/min
Exhaust-gas limit	EU Stage V
Starter battery Voltage	12.0 V
Engine Manufacturer	Deutz
Engine Designation	TD 2.2 L3

#### Environment Data

Sound power LWA, guaranteed	101.0 dB(A)
-----------------------------	-------------

#### Chassis

Turning radius	5,125.0 mm
Articulation angle	29.0 °
Traction drive	4WD hydrostatic
Hydraulic Pump	Axialpistonpump
Operating pressure	450.0 bar

Flow rate

152.0 l/min

Tires

405/70-20

## Available engines

### ■ 55,4 kW Diesel engine (Stage 5)

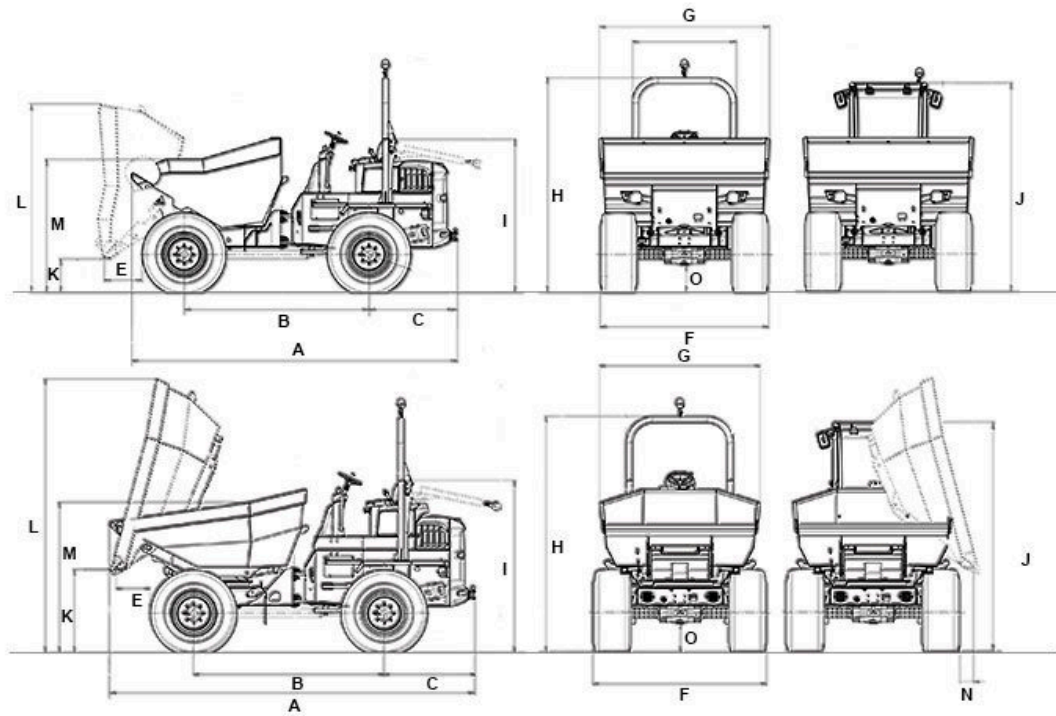
Cooling	Water-cooling
Engine type	Turbodieselengine air cooling
Cylinder	4
Cylinder capacity	2,925 cm <sup>3</sup>
Effective power	55.4 KW
Nominal Engine speed	2,300 1/min
Starter battery Voltage	12 µg/l
Engine Manufacturer	Deutz
Engine Designation	TD2.9 L4
Stroke	110 mlai

Bore	92 mlai
------	---------

### ■ 44,5 kW Diesel engine (Stage 5)

Cooling	Water-cooling
Engine type	Turbodieselengine
Cylinder	4
Cylinder capacity	2,200 cm <sup>3</sup>
Effective power	44.5 KW
Nominal Engine speed	2,300 1/min
Starter battery Voltage	12 µg/l
Engine Manufacturer	Deutz
Engine Designation	TD 2.2 L3

## Dimensions



		Front tip skip	Swivel tip skip	Short Swivel tip skip
A	Total length	4,554 mm	4,806 mm	4,744 mm
B	Wheel base	2,485 mm	2,485 mm	2,485 mm
C	Rear overhang	1,263 mm	1,263 mm	1,263 mm
E	Dumping width	565 mm	456 mm	446 mm
F	Width of vehicle	2,230 mm	2,230 mm	2,230 mm
G	Width of skip	2,328 mm	2,217 mm	2,218 mm
H	Height ROPS	3,240 mm	3,258 mm	3,258 mm
I	Height of ROPS tilted	2,591 mm	2,591 mm	2,591 mm
J	Height with cab	2,999 mm	2,999 mm	2,999 mm
K	Dumping height max.	384 mm	1,100 mm	1,153 mm
L	Skip height tilted	2,417 mm	3,639 mm	3,639 mm
M	Skip height	1,828 mm	1,837 mm	1,830 mm
N	Dumping width lateral		227.5 mm	227.5 mm
O	Ground clearance	378 mm	378 mm	378 mm