



## T6025 Telehandlers

### Technical data

#### ■ Electrical system

Operating voltage	12 V
Battery	77 Ah
Alternator	120 A

#### ■ Weights

Payload (max.)	2,500 kg
Operating weight	4,650 kg

#### ■ Driver's cab

Driver's cab	Cab
--------------	-----

#### ■ Filling levels

Tank capacity for fuel	95 l
Tank capacity for hydraulic oil	29 l

#### ■ Drive system

Type of drive	ecDrive (Electronic Controlled Drive)
drive unit	hydrostatic via transfer gearbox and universal joint shaft
Speed levels	2
Axle	PAL 1660
Travel speed Standard	0-20 km/h
Travel speed Option 1	0-25 km/h
Travel speed Option 2	0-35 km/h
Operating brake	disc brake
Parking brake	disc brake
Differential lock	100% front axle

#### ■ Hydraulic system

Drive hydraulics working pressure (max.)	410 (470) bar
Work hydraulics discharge volume (max.)	75 l/min
Work hydraulics working pressure (max.)	250 bar

#### ■ Kinematics

Lifting cylinder	1
------------------	---

Tipping cylinder	1
Quick change system	Mechanical (hydraulically activated)

#### ■ Steering

Steering type	Hydrostatic all-wheel steering with end position synchronization
Steering cylinder	2
Steering angle max.	2x38 degree
Oscillating angle of the rear axle	± 8 degree

#### ■ Standard engine data

Engine manufacturer	Perkins
Motor type	404J-E22T
Cylinder	4
Drive output	45 kW
Drive output	61 PS
at max. rpm	2,600 U/min
Maximum torque	222 Nm
Cylinder capacity	2,216 cm <sup>3</sup>
Type of coolant	Water
Exhaust standard level	V
Exhaust aftertreatment	DOC/DPF
Average sound power level LwA (cabin)	94 dB(A)
Guaranteed sound power level LwA (cabin)	97 dB(A)
Specified sound pressure level LpA (cabin)	70 dB(A)

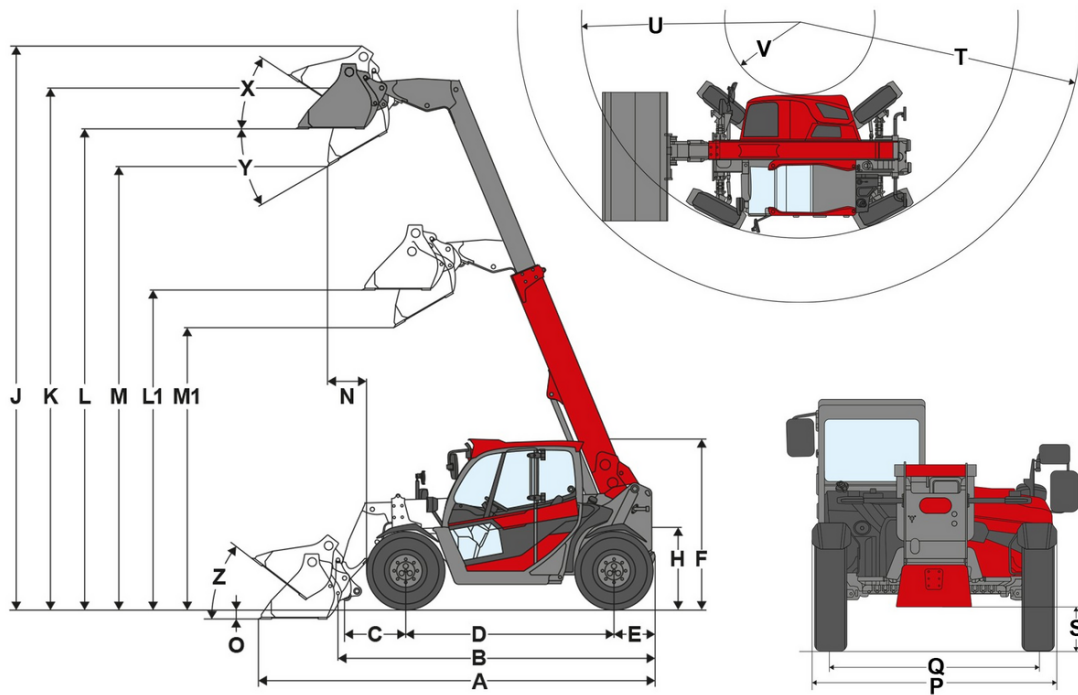
#### ■ Engine data Option 1

Engine manufacturer	Perkins
Motor type	404J-E22TA
Cylinder	4
Drive output	55 kW
Drive output	75 PS

at max. rpm	2,600 U/min
Maximum torque	270 Nm
Cylinder capacity	2,216 cm <sup>3</sup>
Type of coolant	Water
Exhaust standard level	V

Exhaust aftertreatment	DOC/DPF
Average sound power level LwA (cabin)	95.6 dB(A)
Guaranteed sound power level LwA (cabin)	97 dB(A)
Specified sound pressure level LpA (cabin)	71 dB(A)

## Dimensions



A	Total length	4,665 mm
B	Total length without bucket	3,887 mm
C	Bucket pivot point (to center of axle)	720 mm
D	Wheel base	2,449 mm
E	Rear overhang	487 mm
F	Height with cab	1,995 mm
H	Seat height	957 mm
J	Total working height	6,618 mm
K	Bucket pivot point (max. lift height)	6,123 mm
L1	Load-over height telescopic arm retracted	3,747 mm
L	Load-over height telescopic arm extended	5,642 mm
M1	Dumping height telescopic arm retracted	3,307 mm
M	Dumping height telescopic arm extended	5,201 mm
N	Reach (at M)	454 mm
O	Digging depth	121 mm
P	Total width	1,900 mm
Q	Track width	1,660 mm
S	Ground clearance	285 mm
T	Maximum radius	4,337 mm
U	Radius on the outer edge	3,347 mm
V	Inner radius	1,161 mm
X	Rollback angle at max. lift height	34 °
Y	Dumping angle	30 °
Z	Rollback angle on ground	38 °

## Standard components

### Engine

- Perkins 404J-E22T, 45 kW / 61,2 PS (DOC+DPF) EU: Stage V

### Steering system

- Hydraulic all-wheel steering with end position synchronization
- Steering angle max. 2x38°
- Rear axle oscillation angle  $\pm 8^\circ$
- Steering cylinder: 2

### Operator's cab

- Cabin with heating and ventilation ROPS / FOPS tested with laminated safety glass on the right-hand side
- Front, roof and rear window wipers
- Heated rear window
- Inclination display
- Sun blind
- Armrest

### Operator's seat

- Fully damped comfort seat with safety belt, weight, back and height adjustment

### Lighting

- LED basic work lights (1000 lm) on the roof, 1 front, 1 rear

### Drive system & Axles

- Axle: planetary steering axle PAL1660
- Drive: Hydrostatic all-wheel drive, electronically controlled, ecDrive (Electronic Controlled Drive)
- Driving modes: Auto mode; ECO mode (reduction of engine speed when the set speed is reached)
- Speed: 20 km/h (optional 25 km/h / 35 km/h)
- Driving speeds: 2 | 10 km/h / 20 km/h
- Service brake: Drum brake on the front axle acting on the rear axle via a drive shaft
- Parking brake: Drum brake; operated by a handbrake lever on the front axle, acting on the rear axle via a drive shaft
- Steering type: All-wheel steering

### Tires

- 10.5 / 80 - 18 BKT AS 504 ET17, AS profile, width 1904 mm, height 1995 mm

### Loading system

- Telescopic load arm
- Quickhitch facility (Weidemann MV/TH-C) mechanical
- Lifting cylinder: 1
- Tipping cylinder: 1

### Hydraulics

- Electric pilot-controlled joystick with travel direction switch and proportional telescopic function
- 3rd control circuit front, electric proportional via joystick
- vls (Vertical Lift System)
- Hydraulic oil cooler

### Other

- Reversing alarm (acoustic)

### EquipCare (telematics)

- EquipCare 36 months

# Options

## Operator's cab & Cabine

- Heated windshield right and rear
- Protective grate on front windshield, removable
- Fabric seat; air-sprung; MSG95
- Fabric seat; air-sprung; high backrest; MSG95
- Fabric seat; air-sprung; heated seat; MSG95
- Fabric seat; air-sprung; heated seat; high backrest; MSG95
- Air-conditioning system
- Radio DAB+-ready (aerial, speaker)
- Radio DAB+ complete
- 1 plug receptacle: 2xUSB
- 2 plug receptacles: 12 V / 3-pole
- 2 sockets: 2xUSB / 3-pole
- Adjustable steering column (inclination and height)
- Internal panoramic mirror
- Cellphone mount

## Lighting

- Lighting in accordance with StVZO (German Road Traffic Licensing Regulations)
- Protective headlights
- 2 additional LED Basic work lights at the front
- LED Basic work lights (1000 lm) on the roof, 2 at the rear
- LED Basic work lights (1000 lm) on the telescopic arm, 1 at the front
- 2 additional LED Performance work lights at the front
- LED Performance work lights (2000 lm) on the roof, 2 at the rear
- LED Performance work lights (2000 lm) on the telescopic arm, 1 at the front
- LED rotating beacon (yellow) (National regulations must be observed.)

## Approval & Road traffic

- EC Tractor Approval (CoC) (International)
- EC tractor approval (CoC) data confirmation for Germany
- Data confirmation
- Front and rear license plate holder, small

## Drive system & Axles

### Drive

- Perkins diesel engine / 404 J-E22TA / 55.0 kW (74.8 hp)
- Hand throttle
- Preheating: Coolant, hydraulic oil; 230 V, plug type E/F
- Reversible fan

### Axles

- PAL 1660 Basic with 100% differential lock
- Planetary axle PAL1660 Economy with 100% differential lock
- PAL 1660 Performance
- PAL 1660 Performance with 100% differential lock

### Driving mode

- Driving mode Auto / Eco / M-Drive
- Proportional speed limiter (slow speed device)

### Driving speed

- 20 km/h Speed increase
- 25 km/h Speed increase
- 35 km/h Speed increase

### Other

- Steering mode adjustment
- Closed underbody protection

## Tires

- 425 / 50 - 18 Starco AS ET36, AS profile, width 72003 mm}78.86 in}, height 2000 mm
- 10.5 / 80 - 18 Beefy Baby ET17, EM profile, width 1900 mm, height 1910 mm
- 15.5 / 55 R 18 Alliance 601 ET50, EM profile, width 1922 mm, height 1985 mm
- 12.0 / 75 - 18 Alliance 317 ET10, MPT profile, width 1959 mm, height 2001 mm
- 425 / 50 - 18 Starco Alptrak ET36, Alptrak profile, width 2015 mm, height {1993 mm

## Loading system

Quickhitch plates

- Weidemann HV/TH - C (hydraulic)
- SkidSteer (hydraulic - SAEJ2513 SSL HV)
- Manitou (hydraulic)
- Euro (hydraulic - ISO23206 EURO HV) (incl. two couplings SVK size 3)
- SMS HV (hydraulic)
- Load arm dampening
- Tipping cylinder lock
- Automatic bucket return package &'38; Vibratory function
- Telescopic arm dirt wiper

## Hydraulics

- Oil quantity adjustment 3. Steering committee

## Bio-hydraulic oil

- Shell Panolin S4 HLP Synth46 (Biohydraulic oil)

## Hydraulics in front

- 3rd control circuit proportional, including continuous function via switch
- Pressureless return line in front (1 x Flatface size 3, plug) incl. leakage oil line (1 x Flatface size 2, plug)
- Reversing valve in front on 3rd control circuit (3rd control circuit with 4 connections)
- Pressure relief 3. Control circuit at the front of the loading system

## Hydraulics in rear

- Rear double-acting hydraulic connection via changeover valve (two SVK size 3 couplings)

## Electrical connections in front

- Front 13-pin socket (2x electrical functions E1/ E2 and lighting) Operation: Via 2 buttons on the joystick; 1. Function keying, 2. Function latching
- Front 13-pin socket (2x electrical functions E1/ E2 and lighting) Operation: Via 2 buttons on the joystick; 1. Function latching, 2. Function keying
- Front 13-pin socket (2x electrical functions E1/ E2 and lighting) Operation: Via 2 buttons on the joystick; 1. Function keying, 2. Function keying
- Front 13-pin socket (2x electrical functions E1/ E2 and lighting) Operation: Via 2 buttons on the joystick; 1. Function latching, 2. Function latching

## Electrical connections in rear

- Rear socket 7-pole for lighting of rear attachments

## Safety options

- Rear-view camera
- Ignition key immobilizer (operation: via a coded ignition key)

## Custom-made paint finish

- Special painting RAL single color - instead of Weidemann red
- Special painting RAL multicolored

## Other

- Tool box incl. tool set
- Combination bag (warning triangle / first aid kit)
- Fully automatic central lubrication system

Warranty extension

- Economy 24 months (2500 h)
- Economy 36 months (3000 h)
- Economy 48 months (3500 h)
- Economy 60 months (4000 h)
- Premium 24 months (3000 h)
- Premium 36 months (4000 h)
- Premium 48 months (5000 h)
- Premium 60 months (6000 h)

## Trailer and recovery equipment

- Mirror for towbar
- Trailer hitch 38 mm, automatic
- Shunting coupling (not approved for trailer operation!)
- Towing hitch ball head K50
- Maneuvering coupling trailer hitch ball head K50
- Automatic towbar towbar ball head K50
- Towbar Auto Hitch

The illustrations, equipment and data shown may deviate from the current delivery program of your country. Optional equipment subject to additional charge may be shown. Subject to changes.

**Approval as tractor**

- EC tractor approval (CoC) (International)
- EC tractor approval (CoC) + data confirmation for Germany

**StVZO – equipment**

- data confirmation