



## 4060T

### Telescopic wheel loaders

#### Technical data

##### ■ Standard engine data

Engine manufacturer	Rehiko
Motor type	KDI 2504 TCR
Cylinder	4
Drive output	55.4 kW
Drive output	74.3 HP
at max. rpm	2,300 rpm
Cylinder capacity	151.46 in <sup>3</sup>
Type of coolant	Water
Exhaust standard level	V
Exhaust aftertreatment	DOC/DPF

##### ■ Electrical system

Operating voltage	12 V
Battery	100 Ah
Alternator	120 A

##### ■ Weights

Operating weight	12,853 - 13,338 lb
Thrust force (max.)	4,070 daN
Lift capacity (max.)	4,645 daN
Tipping load with bucket – machine straight, loading frame horizontal	7,826 - 8,157 lb
Tipping load with bucket – machine pivoted, loading frame horizontal	6,834 - 7,121 lb
Tipping load with bucket – machine straight (extended)	4,365 - 4,586 lb
Tipping load with bucket – machine pivoted (extended)	3,770 - 3,968 lb
Tipping load with bucket - machine straight, loading frame in lowest position	10,472 - 10,869 lb
Tipping load with bucket - machine pivoted, loading frame in lowest position	9,149 - 9,524 lb
Tipping load with pallet fork – machine straight, loading frame horizontal	7,231 - 7,518 lb

Tipping load with pallet fork – machine pivoted, loading frame horizontal	6,349 - 6,592 lb
Tipping load with pallet fork – machine straight (extended)	4,365 - 4,564 lb
Tipping load with pallet fork – machine pivoted (extended)	3,814 - 3,990 lb
Tipping load with pallet fork - machine straight, transport position	8,576 - 8,907 lb
Tipping load with pallet fork - machine pivoted, transport position	7,540 - 7,826 lb

##### ■ Driver's cab

Driver's cab	Cab
--------------	-----

##### ■ Filling levels

Tank capacity for fuel	21.13 US gal
Tank capacity for hydraulic oil	8.45 US gal

##### ■ Drive system

Type of drive	ecDrive (Electronic Controlled Drive)
drive unit	hydrostatic via transfer gearbox and universal joint shaft
Speed levels	2
Axle	PA 1422
Travel speed Standard	0-12.43 mph
Travel speed Option 1	0-18.64 mph
Operating brake	Disc brakes (option: multi-disc brakes)
Parking brake	Disc brakes (option: multi-disc brakes)
Differential lock	100 % front axle + rear axle

##### ■ Hydraulic system

Drive hydraulics working pressure (max.)	7,252 psi
Work hydraulics discharge volume (max.)	22.72 (26.68) gpm
Work hydraulics working pressure (max.)	3,408 psi

## ■ Kinematics

Kinematics type	Teleskoparm (Z-Kinematik)
Lifting cylinder	1
Tipping cylinder	1
Quick change system	hydraulic

## ■ Steering

Steering type	hydraulically activated articulated pendulum steering
Steering cylinder	1
Oscillating angle	± 10 degree

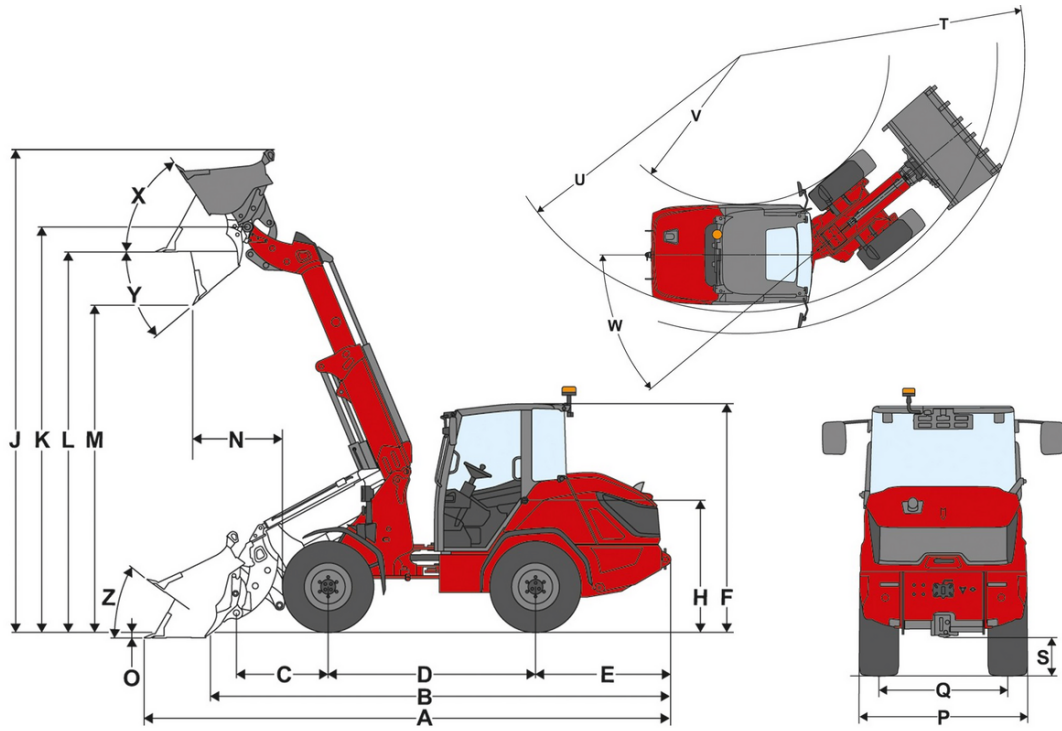
## ■ Noise characteristic values

Average sound power level L <sub>WA</sub> (cabin)	99.8 dB(A)
Guaranteed sound power level L <sub>WA</sub> (cabin)	101 dB(A)
Specified sound pressure level L <sub>pA</sub> (cabin)	71 dB(A)

## ■ Other information

DPF = diesel particulate filter  
DOC = diesel oxidation catalyst  
SCR = selective catalytic reduction  
Tipping load calculation pursuant to ISO 14397

# Dimensions



A	Total length	240.9 in
B	Total length without bucket	202.4 in
C	Bucket pivot point (to center of axle)	47.6 in
D	Wheel base	91.5 in
E	Rear overhang	56.5 in
F	Height with cab	99.8 in
H	Seat height	59.4 in
J	Total working height	235.0 in
K	Bucket pivot point (max. lift height)	198.4 in
L	Load-over height telescopic arm extended	190.4 in
M	Dumping height telescopic arm extended	160.6 in
N	Reach (at M)	38.4 in
O	Digging depth	2.4 in
P	Total width	69.7 in
Q	Track width	53.5 in
S	Ground clearance	15.4 in
T	Maximum radius	183.1 in
U	Radius on the outer edge	157.1 in
V	Inner radius	82.7 in
W	Articulation angle	40 °
X	Rollback angle at max. lift height	56 °
Y	Dumping angle	40 °
Z	Rollback angle on ground	39 °