



ST37

Compact Track Loader

Powerful and Productive

The ST37 offers the performance more in line with a large frame loader but in a more compact, nimble package. Standard features include switchable EH joystick controls, 2-speed travel with auto shift, color display, and battery disconnect which provide comfort and performance to the operator. The lift capacity of 3,700 lbs gives the user the flexibility to work in a variety of jobs with ease using one machine to get the job done.

Highlights

- Controls for Every Operator
- Two-speed transmission
- 5.7-inch Color Display
- Forward Tipping Cab
- Maximum Visibility

Technical Data

Hydraulic

Flow rate	87.0 l/min
Flow rate max.	125.2 l/min
Auxiliary hydraulics relief pressure	340.0 bar

Mechanical - Output Details

Ground Pressure	0.4 bar
Breakout force - tilt	23,576.0 kN
Breakout force - lift	22,241.0 N
Tractive Effort max. at 100% effective force	43,920.0 N
Bucket Roll Back	1.6 s
Bucket Roll Out	2.1 s
Lift Arm Raise	3.7 s

Lift arm lower	2.5 s
Travel speed stage 1	9.3 km/h
Travel speed stage 2	14.1 km/h

Mechanical Details

Operating weight	4,089.0 kg
------------------	------------

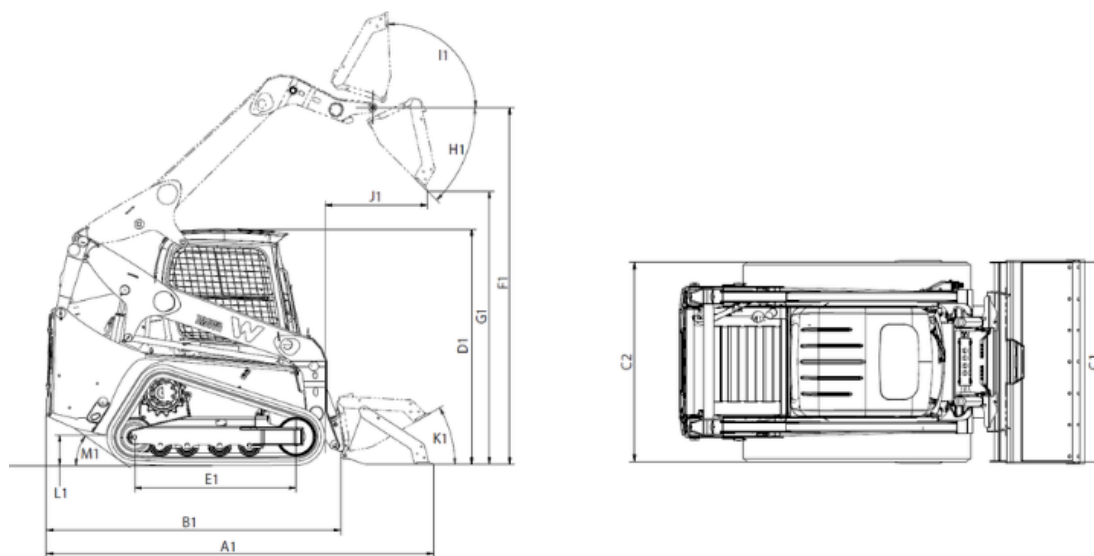
Operating Fluids

Hydraulic fluid volume	40.0 l
Fuel Tank capacity	124.0 l

Chassis

Tip Load	3,357.0 kg
Rated Operating Capacity at 50% Tip Load	1,678.0 kg
Rated Operating Capacity at 35% Tip Load	1,175.0 kg

Dimensions



A1	Overall length with bucket	3,457 mm
B1	Overall length without bucket	2,716 mm
C1	Overall width with bucket	1,924 mm
D1	Overall height	2,104 mm
F1	Hinge pin height	3,264 mm
G1	Dump height max.	2,559 mm
H1	Dump angle	40 °
I1	Bucket rollback at max. stroke height	94.1 °
J1	Dump reach	965.7 mm
L1	Ground clearance	231 mm
M1	Angle of departure	33 °
C2	Overall width without bucket	1,829 mm
E1	Length of track on ground	1,497 mm
K1	Bucket rollback at ground level	30 °