



# 1190e

## Hoftrac

### Technical Data

#### ■ Standard battery

Battery technology	Lithium-ion
Battery voltage class	48 V
Battery capacity	14.1 kWh
Battery weight	132 kg
On-board charging capacity (max.)	3 kW
Loading time (0-100%)	4 - 6* h
Loading time (20-80%)	2,9* h
Running time up to	3,27** h

#### ■ Battery Option 1

Battery technology	Lithium-ion
Battery voltage class	48 V
Battery capacity	18.7 kWh
Battery weight	148 kg
On-board charging capacity (max.)	6 kW
Loading time (0-100%)	3 - 8* h
Loading time (20-80%)	1,9* h
Running time up to	5,07** h

#### ■ Battery Option 2

Battery technology	Lithium-ion
Battery voltage class	48 V
Battery capacity	23.4 kWh
Battery weight	165 kg
On-board charging capacity (max.)	6 kW
Loading time (0-100%)	4 - 10* h
Loading time (20-80%)	2,4* h
Running time up to	7,30** h

#### ■ Electric motor

Motor traction drive (EN60034-1)	6,5 kW
Motor work hydraulics (EN60034-1)	8.5 kW

#### ■ Electrical system

Operating voltage	12 V
-------------------	------

#### ■ Weights

Operating weight	2,170 - 2,350 kg
Thrust force (max.)	1,871 - 1,917 daN
Lift capacity (max.)	1,778 - 1,811 daN
Tipping load with bucket – machine straight, loading frame horizontal	1,320 - 1,680 kg
Tipping load with bucket – machine pivoted, loading frame horizontal	1,090 - 1,360 kg
Tipping load with bucket - machine straight, loading frame in lowest position	2,040 - 2,800 kg
Tipping load with bucket - machine pivoted, loading frame in lowest position	1,690 - 2,270 kg
Tipping load with pallet fork – machine straight, loading frame horizontal	1,000 - 1,210 kg
Tipping load with pallet fork – machine pivoted, loading frame horizontal	820 - 970 kg
Tipping load with pallet fork - machine straight, transport position	1,220 - 1,510 kg
Tipping load with pallet fork - machine pivoted, transport position	1,000 - 1,210 kg

#### ■ Driver's cab

Driver's cab	FSD (eps, cabin)
--------------	------------------

#### ■ Filling levels

Tank capacity for hydraulic oil	20 l
---------------------------------	------

#### ■ Drive system

Type of drive	Electrical
drive unit	universal joint shaft
Speed levels	1
Axle	T80
Travel speed Standard	0-15 km/h
Operating brake	Drum brake acting on all four wheels
Parking brake	Electrical

## ■ Hydraulic system

Work hydraulics discharge volume (max.)	32 l/min
Work hydraulics working pressure (max.)	225 bar

## ■ Kinematics

Kinematics type	P
Lifting cylinder	2
Tipping cylinder	1
Quick change system	hydraulic

## ■ Steering

Steering type	hydraulically activated articulated pendulum steering
Steering cylinder	1
Oscillating angle	± 12 degree

## ■ Noise characteristic values

Average sound power level LwA (operator's canopy)	85.1 dB(A)
---	------------

Guaranteed sound power level LwA (operator's canopy)	87 dB(A)
Specified sound pressure level LpA (operator's canopy)	76 dB(A)
Average sound power level LwA (cabin)	85.1 dB(A)
Guaranteed sound power level LwA (cabin)	87 dB(A)
Specified sound pressure level LpA (cabin)	75 dB(A)

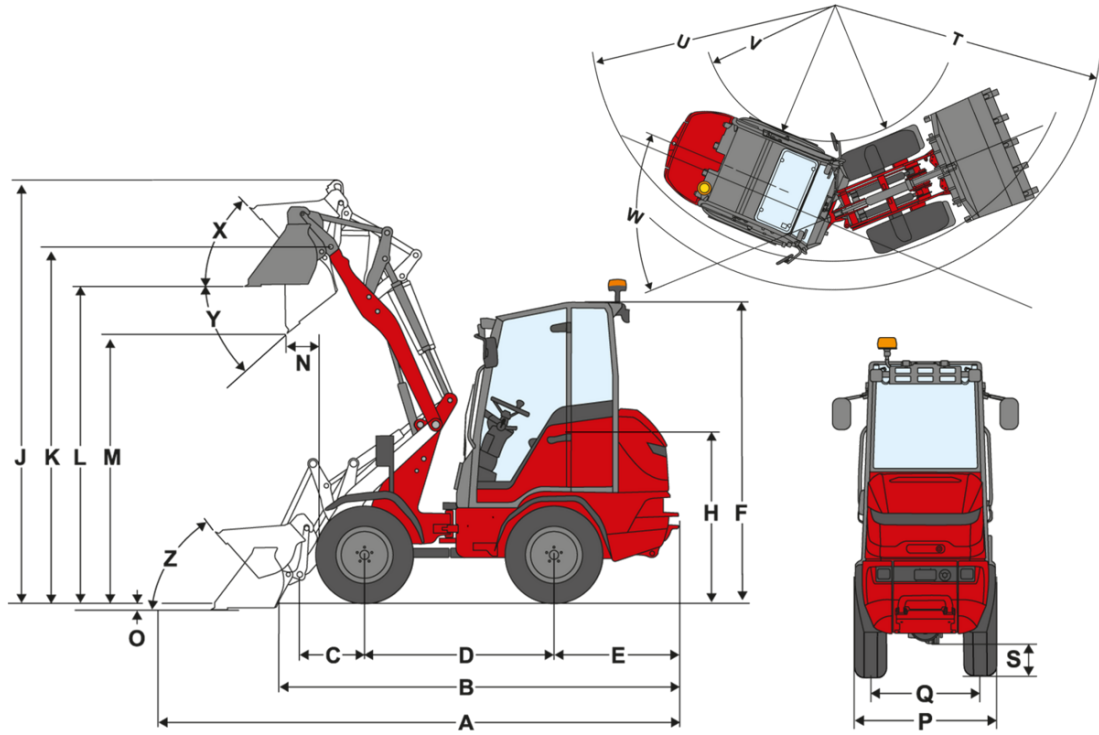
## ■ Other information

FSD = operator's canopy  
eps = Easy Protection System (fold-down operator's canopy)  
Tipping load calculation pursuant to ISO 14397

\* The charging time is dependent on the different charging options. On-board battery charger 3 kW (standard) with additional on-board charger, total 6 kW (option). The following charging plug options are available: 230 V / 10 A Schuko, 230 V / 16 A CEE (blue, 3-pole), 400 V / 16 A CEE (red, three-phase, 5-pole), 400 V / 16 A (Type 2 plug Wallbox, IEC 62196) and other adapter plugs.

\*\* The running times of the battery are dependent on the respective application conditions, the task and the driving style. This may also mean that a longer running time can be achieved. The specified running times may also be undercut in extreme cases. The specified running times refer to uninterrupted operation and working with the machine.

# Dimensions



		<b>P-kinematics (Standard)</b>	<b>P-kinematics (long)</b>
	Standard components	255/75-15.3 StarcoAS-Du. ET-10	255/75-15.3 StarcoAS-Du. ET-10
<b>A</b>	Total length	3,697 mm	3,897 mm
<b>B</b>	Total length without bucket	3,061 mm	3,256 mm
<b>C</b>	Bucket pivot point (to center of axle)	509 mm	709 mm
<b>D</b>	Wheel base	1,468 mm	1,468 mm
<b>E</b>	Rear overhang	971 mm	971 mm
<b>F</b>	Height with operator's canopy fixed	2,289 mm	2,289 mm
	Height with fold-down operator's canopy (eps)	2,366 mm	2,366 mm
	Height with fold-down operator's canopy, folded down (eps)	1,970 mm	1,970 mm
	Height with cab	2,331 mm	2,331 mm
<b>H</b>	Seat height	1,322 mm	1,322 mm
<b>J</b>	Total working height	3,278 mm	3,487 mm
<b>K</b>	Bucket pivot point (max. lift height)	2,740 mm	2,947 mm
<b>L</b>	Load-over height	2,466 mm	2,674 mm
<b>M</b>	Dumping height	2,047 mm	2,257 mm
<b>N</b>	Reach (at M)	265 mm	
<b>O</b>	Digging depth	53 mm	79 mm
<b>P</b>	Total width	1,080 mm	1,080 mm
<b>Q</b>	Track width	824 mm	824 mm
<b>S</b>	Ground clearance	249 mm	249 mm
<b>T</b>	Maximum radius	2,645 mm	2,735 mm
<b>U</b>	Radius on the outer edge	2,379 mm	2,379 mm
<b>V</b>	Inner radius	1,205 mm	1,205 mm
<b>W</b>	Articulation angle	45 °	45 °
<b>X</b>	Rollback angle at max. lift height	50 °	47 °
<b>Y</b>	Dumping angle	40 °	40 °
<b>Z</b>	Rollback angle on ground	49 °	49 °

The illustrations, equipment and data shown may deviate from the current delivery program of your country. Optional equipment subject to additional charge may be shown. Subject to changes.

# Standard components

## Drive system & Battery

- Battery Li-Ion 14.1 kWh 48V

## Steering system

- Hydraulic articulated pendulum steering
- Steering cylinder: 1

## Operator's cab

- Overhead guard with restraint system ROPS / FOPS tested
- Generous space in all operator compartments
- Adjustable steering column
- Modern, ergonomically shaped joystick
- Generous entrance
- Interior rear view mirror

## Operator's seat

- Comfort seat with seat belt full suspension (weight, back and longitudinal adjustment)

## Lighting

- LED work lights, 2 front, 1 back on the operator's canopy

## Drive system & Axles

- Axle: T80
- Drive: Electric drive, energy recovery during deceleration, driving direction selectable via joystick, auto / eco mode
- Battery: incl. Battery preheating, charging time 20% to 90% SOC 4 hrs, charge release switch
- Speed: 15 km/h
- Driving stages: 1
- Service brake: Drum brake acting on all four wheels
- Parking brake: Electric parking brake with hill-hold function (when stopped on a hill, the electric motor holds the machine in place)

## Tires

- 255 / 75 - 15.3 Starco AS Dumper II

## Loading system

- Loading swing arm lifting height 2740 mm; hydraulic quick coupler (Weidemann HV/HT - C) hydraulic
- Kinematics: P
- Lifting cylinder: 2
- Tilting cylinder: 1
- Float position for lift and tilt cylinders

## Hydraulics

- Mechanically pre-controlled joystick with direction switch
- 3. Front control circuit via lever incl. notch

## Other

- EquipCare 36 months (incl. App & Manager)
- Rear mounting bracket Standard

# Options

## Operator's cab

- Folding overhead guard eps ROPS / FOPS tested
- cabin 2-piece doors incl. heater
- Front windshield incl. front wiper
- Rear view mirror (left and right)
- Leatherette seat (MSG 83)
- Leatherette seat; air suspension (MSG 93)
- Leatherette seat; air suspension; heated seats (MSG 93)
- Fabric seat (standard in cab), (MSG 20)
- Fabric seat (MSG 83)
- Fabric seat; air suspension (MSG 93)

The illustrations, equipment and data shown may deviate from the current delivery program of your country. Optional equipment subject to additional charge may be shown. Subject to changes.

- Fabric seat; air suspension; heated seats (MSG 93)
- Cabin heating comfort
- Roof heating panel
- Radio preparation DAB+ (antenna, loudspeaker)
- Radio DAB+ complete
- Socket 3-pin 12V

#### Lighting

- Lighting according to StVZO
- LED lighting according to StVZO (width of the lighting outside: 1050mm)
- Worklights LED Performance (2000 lm) on the overhead guard (2 front, 2 rear)
- Rotating beacon LED (yellow), (national regulations must be observed!)
- Rotating beacon (yellow) with magnetic base (national regulations must be observed!)

#### Approval & Road traffic

- Individual operating permit <25 km/h
- License plate holder front and rear
- Warning plate triangular

#### Tires

- 400/50-15 StarcoAS-Dump. ET-50, profile AS, width 1284 mm, height
- 240/70R16 Petlas TA110 ET22, profile AS, width 1004 mm, height
- 31x15.5-15 BKT SkidPower ET-60, profile EM, width 1324 mm, height
- 400/50-15 StarcoTurf Tech ET-50, tread RP, width 1289 mm, height
- 315/55 R16 Continental MPT81 ET-30, tread MPT81, width 1179 mm, height
- Tires turned

#### Loading system

- High lift height (2947 mm)
- Quick change plates
- Weidemann HV/HT - C - ECS (hydraulic - easy coupler system)
  - Euro (hydraulic - ISO23206 EURO HV) (incl. two couplers SVK size 3)
  - SkidSteer (hydraulic - SAEJ2513 SSL HV)
  - SMS (hydraulic)
  - Lowering brake valve (pipe breakage protection lifting and tipping cylinder)
  - Bucket level indicator

#### Hydraulics

- Oil volume adjustment of 3rd control circuit
- Shell PANOLIN S4 HLP Synth 46 (bio hydraulic oil)

##### Front

- 3rd comfort control circuit, including single notch on lever for 3rd control circuit (operation: via touch button on joystick + fill shovel and empty shovel)
- Pressureless return line in front (1 x Flatface size 3, plug) incl. leakage oil line (1 x Flatface size 2, plug)

##### Rear

- Rear hydraulic connection double-acting via change-over valve (two couplings SVK size 3), (3rd Control circuit in front or rear; operation: Via switch (0 - 1) + 3rd control circuit).
- Unpressurised return line in rear (1x SVK Gr. 3, outlet)

#### Electrical system

- Battery Li-Ion 18.7 kWh 48V
- Battery Li-Ion 23.4 kWh 48V
- Charger onboard up to 6 kW (AC)

##### Charging connection cable

- CEE, 3-pin 230V/16A (blue)
- CEE, 5-pin 400V/16A (red)
- Type 2 (IEC 62196)
- Adapter Set EU
- Mains plug type G - UK

##### Battery charge release

- Charge release lockable

##### Front

- Socket front 13-pin (2x electric functions E1/ E2 and lighting), (Operation: Via 2 buttons on the joystick; 1st Function push-button, 2nd Function latching)
- Socket front 13-pin (2x electric functions E1/ E2 and lighting), (Operation: Via 2 buttons on the joystick; 1st Function latching), 2nd Function push-button)
- Socket front 13-pin (2x electric functions E1/ E2 and lighting), (Operation: Via 2 buttons on the joystick; 1st Function push-button, 2nd Function push-button)
- Socket front 13-pin (2x electric functions E1/ E2 and lighting), (Operation: Via 2 buttons on the joystick; 1st Function latching, 2nd Function latching)
- Additional control in 13-pin socket in front (2x electrical functions E3 / E4), (Operation: Via 1 switch in console; 1st Function latching, 2nd Function latching)

##### Rear

- Rear 7-pin socket for lighting rear attachments

The illustrations, equipment and data shown may deviate from the current delivery program of your country. Optional equipment subject to additional charge may be shown. Subject to changes.

**Safety options**

- Reversing warning device (acoustic)
- Blue Safety Light rear

**Custom-made paint finish**

- Special painting RAL single color - instead of Weidemann red
- Special painting RAL multicolored

**Other**

- Multi-functional rear mounting plate (for use with the small salt spreader)
- Toolbox, including tool set and hand lever grease press
- Combination bag (warning triangle / first aid kit)
- Combination box (for combination envelope)

## Warranty extension

- Economy 24 months (2500 h)
- Economy 36 months (3000 h)
- Economy 48 months (3500 h)
- Economy 60 months (4000 h)
- Premium 24 months (3000 h)
- Premium 36 months (4000 h)
- Premium 48 months (5000 h)
- Premium 60 months (6000 h)