



SM100

Utility Track Loader

Do More with Less

In addition to its compact design, the SM100 is comfortable for operators with ergonomic joysticks and reference handles, plush padding, and wide spring-suspension platform for added stability. The strong lift capacity and high hinge pin of the SM100 height allows for easy loading into high sided trucks and dumpsters. The heavy duty undercarriage construction and fast travel speeds means you can do more with less.

Highlights

- Compact Design
- Industry Leading Safety Features
- All Day Comfort

Technical Data

Hydraulic

Flow rate	49.0 l/min
Auxiliary hydraulics relief pressure	210.0 bar

Mechanical - Output Details

Ground Pressure	0.3 bar
Breakout force - tilt	13,827.0 kN
Breakout force - lift	13,827.0 N
Travel speed	8.4 km/h

Mechanical Details

Overall Length without bucket	2,141.0 mm
Overall Length with Bucket	2,742.0 mm
Overall width without bucket	902.0 mm
Height	1,478.0 mm
Bucket Hinge Pin Height	2,176.0 mm
Maximum bucket roll back at ground	25.0 °
Bucket roll back at maximum height	92.0 °
Angle of departure	25.0 °
Bucket dump height at maximum height	1,595.0 mm
Bucket dump angle at maximum height	42.0 °
Operating weight	1,497.0 kg

Underclearance	198.0 mm
Length of Track on Ground	1,093.0 mm
Dump reach at maximum height	557.0 mm

Engine

Cooling	Water-cooling
Engine type	Diesel engine
Cylinder	3.0
Cylinder capacity	1,266.0 cm ³
Power rating max.	18.5 KW
Operating power	18.4 KW
Operating Engine speed	2,600.0 1/min
Maximum torque	85.0 Nm
Engine Manufacturer	Yanmar
Engine Designation	3TNV80 FT

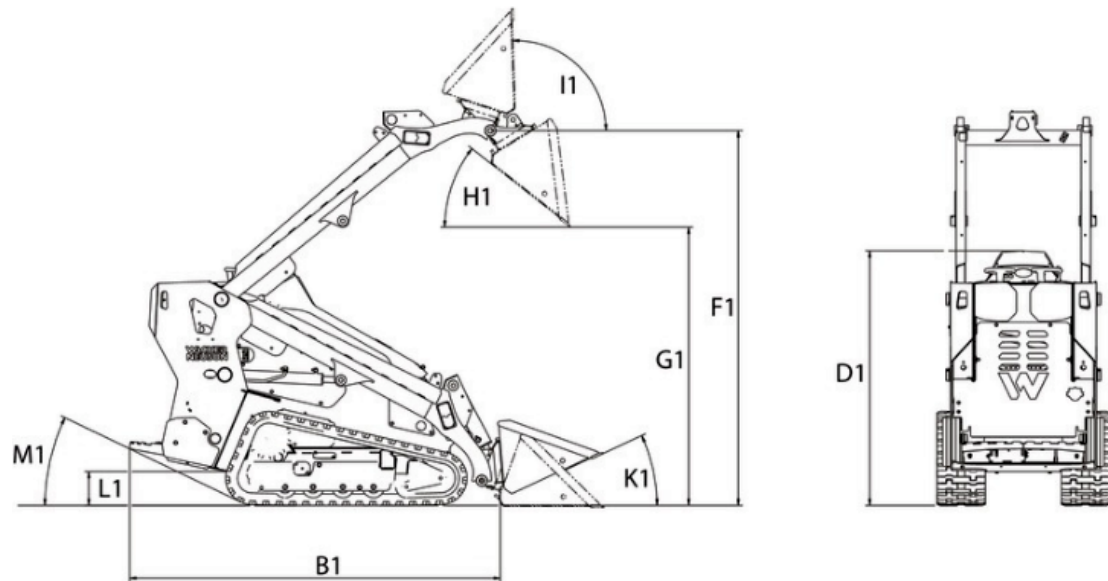
Operating Fluids

Fuel Tank capacity	64.0 l
--------------------	--------

Chassis

Tip Load	1,295.0 kg
Rated Operating Capacity at 50% Tip Load	647.0 kg
Rated Operating Capacity at 35% Tip Load	453.0 kg

Dimensions



B1	Overall length without bucket	2,153.6 mm
D1	Overall height	1,478 mm
F1	Hinge pin height	2,175 mm
G1	Dump height max.	1,615.1 mm
K1	Bucket rollback at ground level	25 °
I1	Bucket rollback at max. stroke height	92 °
H1	Dump angle	38.2 °
L1	Ground clearance	196.9 mm
M1	Angle of departure	25.6 °