



3080T

Telescopic wheel loaders

Technical data

■ Standard engine data

Engine manufacturer	Deutz
Motor type	TCD 2.9 L4 S5
Cylinder	4
Drive output	55.4 kW
Drive output	74.3 HP
at max. rpm	2,300 rpm
Cylinder capacity	176.97 in ³
Type of coolant	Water/charge air
Exhaust standard level	V
Exhaust aftertreatment	DOC/DPF

■ Electrical system

Operating voltage	12 V
Battery	100 Ah
Alternator	85 A

■ Weights

Operating weight	11,905 lb
Tipping load with bucket – machine straight, loading frame horizontal	6,206 lb
Tipping load with bucket – machine pivoted, loading frame horizontal	5,315 lb
Tipping load with bucket – machine straight (extended)	3,426 lb
Tipping load with bucket – machine pivoted (extended)	2,866 lb
Tipping load with pallet fork – machine straight, loading frame horizontal	5,666 lb
Tipping load with pallet fork – machine pivoted, loading frame horizontal	4,866 lb
Tipping load with pallet fork – machine straight (extended)	3,327 lb
Tipping load with pallet fork – machine pivoted (extended)	2,782 lb

■ Driver's cab

Driver's cab	Cab
--------------	-----

■ Filling levels

Tank capacity for fuel	21.66 US gal
Tank capacity for hydraulic oil	17.44 US gal

■ Drive system

Type of drive	Hydrostatic
drive unit	universal joint shaft
Speed levels	2
Axle	PA 1400 (PA 1422)
Travel speed Standard	0-12,43 mph
Travel speed Option 1	0-18,64 mph
Operating brake	Hydrostatic drive system acting on all 4 wheels (wear-free)
Parking brake	Service and parking brake in the drive train acts on all 4 wheels
Differential lock	100 % front axle + rear axle

■ Hydraulic system

Drive hydraulics working pressure (max.)	6527 psi
Work hydraulics discharge volume (max.)	19,55 (21,93-27,21) gpm
Work hydraulics working pressure (max.)	3408 psi

■ Kinematics

Lifting cylinder	1
Tipping cylinder	1
Quick change system	hydraulic

■ Steering

Steering type	Hydraulically activated articulated pendulum steering
Steering cylinder	1
Oscillating angle	±12 degree

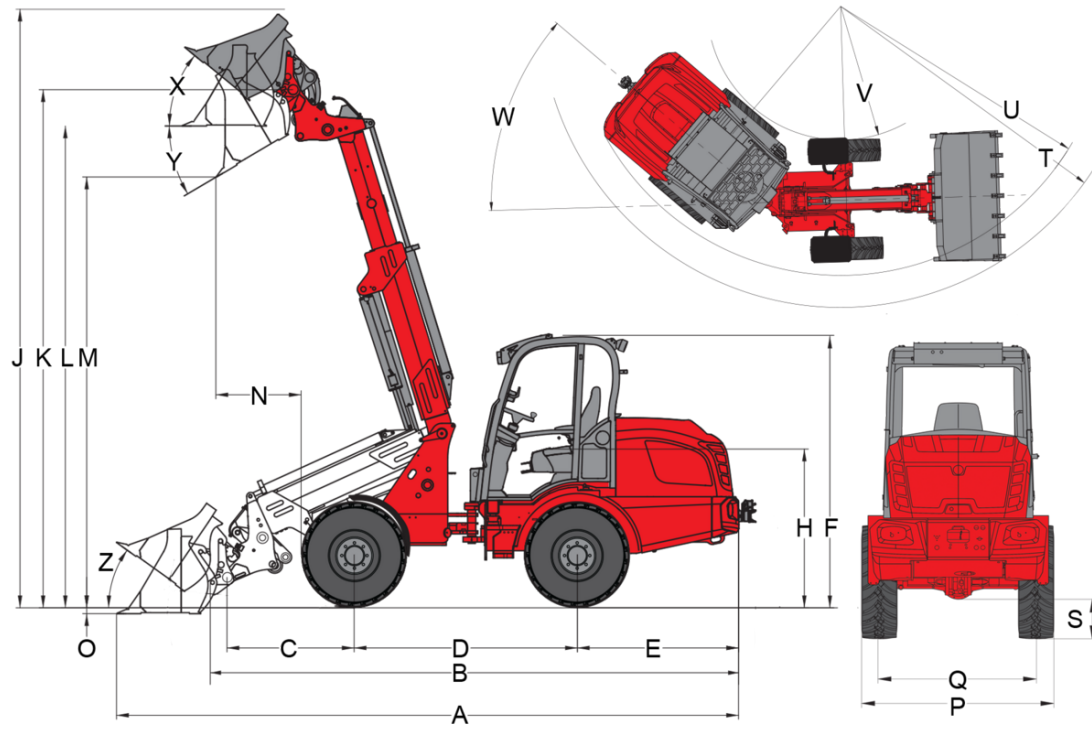
■ Noise characteristic values

Average sound power level LwA (cabin)	99.9 dB(A)
Guaranteed sound power level LwA (cabin)	101 dB(A)
Specified sound pressure level LpA (cabin)	74 dB(A)

■ Other information

FSD = operator's canopy
DPF = diesel particulate filter
DOC = diesel oxidation catalyst
SCR = selective catalytic reduction
Tipping load calculation according to ISO 14397

Dimensions



Telescopic arm (Z-kinematics) / axle PA1400

Telescopic arm (Z-kinematics) / axle PA1422

		Telescopic arm (Z-kinematics) / axle PA1400	Telescopic arm (Z-kinematics) / axle PA1422
A	Total length	235.4 in	235.4 in
B	Total length without bucket	203.6 in	203.6 in
C	Bucket pivot point (to center of axle)	49.1 in	49.1 in
D	Wheel base	86.2 in	86.2 in
E	Rear overhang	60.3 in	60.3 in
F	Height with cab lowered	96.8 in	97.8 in
	Height with cab raised	103.5 in	104.6 in
H	Seat height	60.8 in	61.9 in
J	Total working height	229.9 in	230.9 in
K	Bucket pivot point (max. lift height)	197.6 in	199.8 in
L	Load-over height telescopic arm extended	184.8 in	
M	Dumping height telescopic arm extended	164.2 in	165.3 in
N	Reach (at M)	27.8 in	26.7 in
O	Digging depth	3.3 in	4.3 in
P	Total width	61.3 in	68.8 in
Q	Track width	49.2 in	56.0 in
S	Ground clearance	13.0 in	14.3 in
T	Maximum radius	170.1 in	170.1 in
U	Radius on the outer edge	151.1 in	151.1 in
V	Inner radius	80.8 in	77.0 in
W	Articulation angle	42 °	42 °
X	Rollback angle at max. lift height	40 °	40 °
Y	Dumping angle	36 °	36 °
Z	Rollback angle on ground	36 °	36 °