



## 4060T

### Telescopic wheel loaders

#### Technical data

##### ■ Electrical system

Operating voltage	12 V
Battery	100 Ah
Alternator	120 A

##### ■ Weights

Operating weight	5,830 - 6,050 kg
Thrust force (max.)	4,070 daN
Lift capacity (max.)	4,645 daN
Tipping load with bucket – machine straight, loading frame horizontal	3,550 - 3,700 kg
Tipping load with bucket – machine pivoted, loading frame horizontal	3,100 - 3,230 kg
Tipping load with bucket – machine straight (extended)	1,980 - 2,080 kg
Tipping load with bucket – machine pivoted (extended)	1,710 - 1,800 kg
Tipping load with bucket - machine straight, loading frame in lowest position	4,750 - 4,930 kg
Tipping load with bucket - machine pivoted, loading frame in lowest position	4,150 - 4,320 kg
Tipping load with pallet fork – machine straight, loading frame horizontal	3,280 - 3,410 kg
Tipping load with pallet fork – machine pivoted, loading frame horizontal	2,880 - 2,990 kg
Tipping load with pallet fork – machine straight (extended)	1,980 - 2,070 kg
Tipping load with pallet fork – machine pivoted (extended)	1,730 - 1,810 kg
Tipping load with pallet fork - machine straight, transport position	3,890 - 4,040 kg
Tipping load with pallet fork - machine pivoted, transport position	3,420 - 3,550 kg

##### ■ Driver's cab

Driver's cab	Cab
--------------	-----

##### ■ Filling levels

Tank capacity for fuel	80 l
------------------------	------

Tank capacity for hydraulic oil 32 l

##### ■ Drive system

Type of drive	ecDrive (Electronic Controlled Drive)
drive unit	hydrostatic via transfer gearbox and universal joint shaft
Speed levels	2
Axle	PA 1422
Travel speed Standard	0-20 km/h
Travel speed Option 1	0-30 km/h
Operating brake	Disc brakes (option: multi-disc brakes)
Parking brake	Disc brakes (option: multi-disc brakes)
Differential lock	100 % front axle + rear axle

##### ■ Hydraulic system

Drive hydraulics working pressure (max.)	500 bar
Work hydraulics discharge volume (max.)	86 (101) l/min
Work hydraulics working pressure (max.)	235 bar

##### ■ Kinematics

Kinematics type	Teleskoparm (Z-Kinematik)
Lifting cylinder	1
Tipping cylinder	1
Quick change system	hydraulic

##### ■ Steering

Steering type	hydraulically activated articulated pendulum steering
Steering cylinder	1
Oscillating angle	± 10 degree

##### ■ Noise characteristic values

Average sound power level LwA (cabin)	99.8 dB(A)
Guaranteed sound power level LwA (cabin)	101 dB(A)

Specified sound pressure level LpA (cabin)	71 dB(A)
--	----------

### ■ Standard engine data

Engine manufacturer	Rehlko
---------------------	--------

Motor type	KDI 2504 TCR
------------	--------------

Cylinder	4
----------	---

Drive output	55.4 kW
--------------	---------

Drive output	75 PS
--------------	-------

at max. rpm	2,300 U/min
-------------	-------------

Maximum torque	315 Nm
----------------	--------

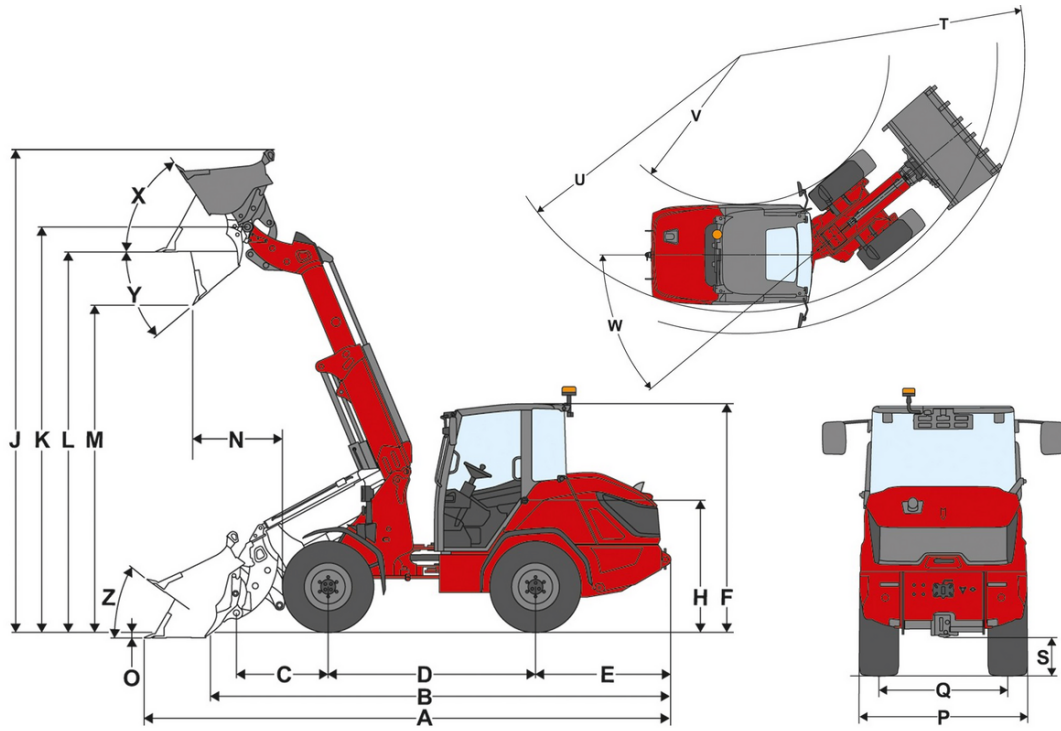
Cylinder capacity	2,482 cm <sup>3</sup>
-------------------	-----------------------

Type of coolant	Water
-----------------	-------

Exhaust standard level	V
------------------------	---

Exhaust aftertreatment	DOC/DPF
------------------------	---------

## Dimensions



A	Total length	6,120 mm
B	Total length without bucket	5,140 mm
C	Bucket pivot point (to center of axle)	1,210 mm
D	Wheel base	2,325 mm
E	Rear overhang	1,435 mm
F	Height with cab	2,535 mm
H	Seat height	1,510 mm
J	Total working height	5,970 mm
K	Bucket pivot point (max. lift height)	5,040 mm
L	Load-over height telescopic arm extended	4,835 mm
M	Dumping height telescopic arm extended	4,080 mm
N	Reach (at M)	975 mm
O	Digging depth	60 mm
P	Total width	1,770 mm
Q	Track width	1,360 mm
S	Ground clearance	390 mm
T	Maximum radius	4,650 mm
U	Radius on the outer edge	3,990 mm
V	Inner radius	2,100 mm
W	Articulation angle	40 °
X	Rollback angle at max. lift height	56 °
Y	Dumping angle	40 °
Z	Rollback angle on ground	39 °

# Standard components

## Engine

- Rehlko KDI 2504 TCR, 55.4 kW (75,3 PS), (DOC/DPF), EU: Stage V

## Steering system

- Hydraulic articulated pendulum steering
- Steering cylinder: 1

## Operator's cab

- Hydraulic articulated pendulum steering
- Steering cylinder: 1

## Operator's cab

- 1-Door comfort cabin with heater and fan, ROPS / FOPS-tested
- Generous provision of space
- Mirror on the left and right
- Ergonomic, generous access
- Adjustable steering wheel (incline and height)

## Operator's seat

- Mechanically sprung fabric seat with seatbelt, weight, back and horizontal adjustment

## Lighting

- Lighting according to StVZO
- LED Basic worklights (1000 lm) on the roof, 2 at the front, 1 at the rear

## Drive system & Axles

- Axle: planetary axle PA1422
- Drive: Hydrostatic all-wheel drive, electronically controlled, ecDrive (Electronic Controlled Drive)
- operating modes: Auto Mode; ECO Mode (reduction of engine speed when set speed is reached)
- Lock: different lock 100 %, electrically-hydraulically adjustable on the front and rear axle
- Speed 20 km/h (optional 30 km/h)
- Speed levels: 2 | 10 km/h / 20 km/h
- Operating brake: Disc brake on the front axle acting on the rear axle via a drive shaft
- Parking brake: Disc brake; operated by handbrake lever on front axle, acting on rear axle via drive shaft

## Tires

- 405 / 70 R 20 BKT MP513 ET30, Width 1770 mm, Height 2,535 mm

## Loading system

- Telescopic load arm LS999
- Quickhitch facility (Weidemann HV/HT - C) hydraulic
- Kinematics: Z
- Lifting cylinder: 1
- Tipping cylinder: 1
- Floating position for lift cylinder

## Hydraulics

- Electric pilot-controlled joystick with travel direction control and integrated touch button for differential lock and proportional telescopic function
- 3rd control circuit front, electrical, proportional via joystick incl double rest
- Work hydraulics 86 l/min (37,4 ccm)
- Hydraulic oil cooler

## EquipCare (telematics)

- EquipCare 36 months

# Options

## Operator's cab

- Two-piece cabin door
- Rear-view mirror, wide-angle, cabin
- Air-conditioning system
- Radio DAB+-ready (aerial, speaker)
- Radio DAB+ complete
- 1 plug receptacle: 2xUSB
- Sun shade
- Storage compartment (left of the operator's seat)
- Internal panoramic mirror

## Operator's seat

- Vinyl seat
- Artificial leather seat; air-sprung; MSG95
- Fabric seat; air-sprung; high backrest; MSG95
- Fabric seat; air-sprung; heated seat; MSG95
- Fabric seat; air-sprung; heated seat; high backrest; MSG95
- Fabric seat; air-sprung; MSG95
- Fabric seat; high backrest; MSG85

## Lighting

- LED lighting according to StVZO
- LED performance work lights (2000 lm) on the roof, 2 front, 2 rear
- Working lights LED (2000 lm) on telescopic arm, 2 front
- LED rotating beacon (yellow), (the national regulations must be observed)

## Approval & Road traffic

- Individual operating permit < 25 km/h
- Individual operating permit > 25 km/h
- Front and rear license plate bracket
- Warning triangle (the national requirements must be observed.)

## Drive system & Axles

- Manual throttle
- Pre-heating: Coolant, hydraulic oil; 230 V, plug receptacle type E/F
- Pre-heating: Coolant, hydraulic oil; 230 V, plug receptacle type J
- Pre-heating: Coolant, hydraulic oil; 230 V, plug receptacle type G
- Driving mode Auto / Eco / Attachments
- Driving mode Auto / Eco / M-Drive
- Speed limiter proportional (slow speed device)
- 20 km/h speed increase
- 30 km/h speed increase
- Electro-hydraulic multi-disc brakes with spring suspension in the front axle acting on rear axle via universal joint shaft, incl. hill-hold function

## Tires

- 400/70 R 20 Alliance 585 ET0, width 1827 mm, height 2531 mm
- 445/70 R 19.5 Alliance 624 ET0, width 1868 mm, height 2550 mm
- 550 / 45 R 22.5 Alliance 331 ET-50, width 2073 mm, height 2532 mm

## Loading system

Quickhitch plates:

- SkidSteer (hydraulic - SAEJ2513 SSL HV)
- Matbro (hydraulic)
- Euro (hydraulic - ISO23206 EURO HV) (incl. two couplings SVK size 3)
- SMS HV (hydraulic)

Other:

- Load arm dampening

## Bio-hydraulic oil

- Shell Panolin HLP Synt46 (Biohydraulic oil)

### Hydraulics in front

- Work hydraulics 101 l/min (44,2 ccm)
- Pressureless return line in front (1 x Flatface size 3, plug) incl. leakage oil line (1 x Flatface size 2, plug)
- Front plug-in coupling 3. Control circuit (flat face size 3)
- Quick coupling faster 2-fold - machine side + attachment side
- Reversing valve in front on 3rd control circuit (3rd control circuit with 4 couplings Flatface size 3)
- Pressure release of 3rd control circuit, front

### Hydraulics in rear

- Rear single-acting hydraulic connection via changeover valve (two SVK size 3 couplings)

### Electrical connections in front

- Front plug receptacle, 13-pole (2x electric functions E1/ E2 and lighting); Operation: Via 2 buttons on the joystick; 1st pressing function, 2nd latching function
- Front socket 13-pole (2x electrical functions E1/ E2 and lighting);&# 160;Operation: Via 2 buttons on the joystick; 1st latching function, 2nd pressing function
- Front socket 13-pole (2x electrical functions E1/ E2 and lighting);&# 160;Operation: Via 2 buttons on the joystick; 1st pressing function, 2nd pressing function
- Front socket 13-pole (2x electrical functions E1/ E2 and lighting);&# 160;Operation: Via 2 buttons on the joystick; 1st latching function, 2nd latching function

### Electrical connections in rear

- Rear socket 7-pole for lighting of rear attachments

### Electrical system

Battery disconnect switch:

- Battery isolator switch driver's cab - relay isolating

### Safety options

- Reversing warning device (acoustic)
- Rear view camera
- Seat belt monitoring
- Immobilizer ignition key (operation: Via coded ignition key)
- EquipCare Dual ID Keypad immobilizer (operation: Via keypad)

### Custom-made paint finish

- Special painting RAL single color - instead of Weidemann red
- Special painting RAL multicolored

### Other

- Tool box incl. tool set
- Combination bag (warning triangle / first aid kit)
- Fully automatic central lubrication unit
- Re-configured central lubrication system (lubrication line positioned in the arm)

Warranty extension

- Economy 24 months (2500 h)
- Economy 36 months (3000 h)
- Economy 48 months (3500 h)
- Economy 60 months (4000 h)
- Premium 24 months (3000 h)
- Premium 36 months (4000 h)
- Premium 48 months (5000 h)
- Premium 60 months (6000 h)

### Trailer and recovery equipment

- Trailer hitch 38 mm, automatic
- Shunting coupling (not approved for trailer operation!)