



3106

Telehandler

THE COMPACT POWERHOUSE

With its combination of compact external dimensions and a high payload and engine power, the 3106 telehandler is the compact powerhouse in the Kramer portfolio. The telehandler lifts up to 3,100 kg to a maximum stacking height of 5.83 m. The Deutz engine with a maximum output of 82 kW / 112 hp ensures high machine agility and performance. The extensive standard equipment includes a top speed of 40 km/h, a reversible fan with automatic function and four steering modes with automatic synchronization.

Engine: Powerful Deutz 2.9 liter engine with a maximum performance of 82 kW (112 hp) ensures maximum productivity for demanding tasks

Compactness: Height of 2.15 m and width of 2.09 m for applications in confined spaces

Charging capacity: Continuous 3,100 kg payload up to a maximum stacking height of 5.83 m ensure that heavy loads are moved safely and efficiently

Weighing system: Optional, integrated, dynamic weighing system, which enables different goods to be weighed regardless of attachment, load center of gravity and the position of the loading system

Smart Attach: Hydraulic attachments can be changed quickly, simply, and safely as a result of the optional fully hydraulic quick change plate

Technical Data

Standard engine data

Engine manufacturer	Deutz
Drive output	82 kW
Drive output	112 PS
at max. rpm	2,000 U/min
Cylinder capacity	2,924 cm ³
Exhaust standard level	V
Exhaust aftertreatment	DOC / DPF / SCR

Weights

Bucket capacity (standard bucket)	0.90 m ³
Payload (max.)	3,100 kg
Payload at max. reach	1,350 kg
Payload at max. stacking height	3,100 kg
Stacking height (max.)	5,835 mm
Payload max. (LSP 500 mm)	3,100 kg
Operating weight	4,200 - 5,900 kg

Filling levels

Tank capacity for fuel	125 l
Tank capacity for hydraulic oil	38 l

Drive system

Travel speed Standard	0-40 km/h
Travel speed Option 1	0-20 km/h
Travel speed Option 2	0-30 km/h
Differential lock	100 % front axle

Hydraulic system

Work hydraulics discharge volume (max.)	109 l/min
Work hydraulics working pressure (max.)	260 bar

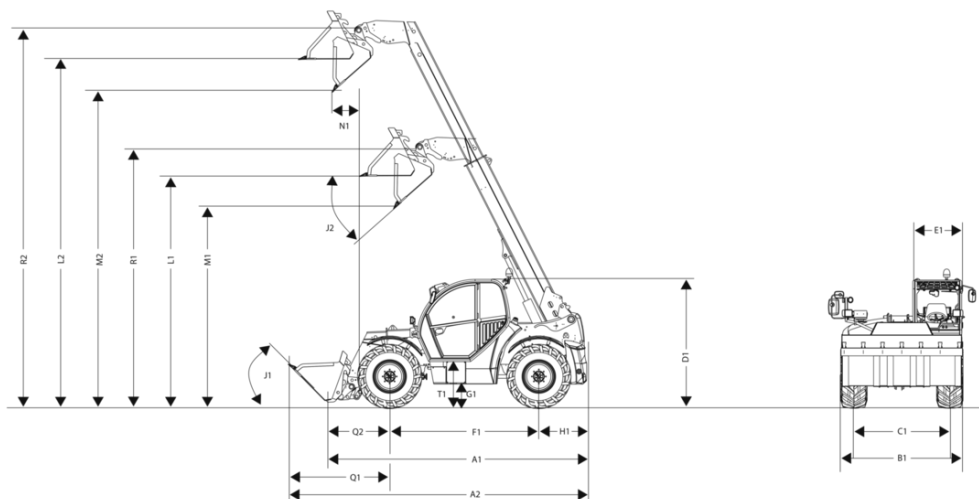
Steering

Steering angle max.	40 degree
---------------------	-----------

Noise characteristic values

Guaranteed sound power level LwA (cabin)	101 dB(A)
Measured sound power level LwA	98 dB(A)
Sound pressure level at the operator's ear	76 dB(A)

Dimensions



A1	Total length	4,500 mm
A2	Total length with bucket	5,250 mm
B1	Total width without bucket	2,095 mm
C1	Front track: rear	1,780 mm
D1	Total height	2,155 mm
D2	Total height with rotating beacon	2,300 mm
E1	Cab width	825 mm
F1	Wheel base center	2,750 mm
G1	Ground clearance under axle and transmission, wading depth	320 mm
H1	Distance center rear wheel to rear	730 mm
I1	Rear approach angle (slope angle)	77.5 °
J1	Dumping angle	45 °
K1	Max. stacking height	5,835 mm
J2	Dumping angle	22 °
L1	Load-over height: retracted	3,745 mm
L2	Load-over height: extended	5,610 mm
M1	Dumping height: retracted	3,205 mm
M2	Dumping height: extended	5,070 mm
N1	Dumping width: extended	458 mm
Q2	Distance center front wheel bearing quick change frame	1,030 mm
R1	Bucket pivot point: retracted	4,245 mm
R2	Bucket pivot point: extended	6,110 mm
S1	Turning radius outer edge wheels	3,605 mm
S2	Turning radius outer edge bucket	4,605 mm
T1	Entry height cab floor	660 mm