



## ET60

### Tracked Conventional Excavator

#### Productivity in a nutshell

Intuitive operation, using a joystick, the display and the pedal. Modern long-distance runner: The diesel engine with a large volume combines high economic efficiency with maximum performance and is characterized by an exceptionally long service life. Optimal service accesses due to the large engine hood and easily removable covers. Powerful hydraulic engine provides high tractive force and gradeability - even on difficult terrain. The standard dozer blade ensures maximum lift capacity and stability, and the large fuel tank allows for longer working days without the need to refuel.

## Highlights

- Powerful drive system with LUDV
- High degree of digging power
- Optimal maintenance access
- Optimized hydraulics or engine-pump management
- AUX I

## Technical Data

### Hydraulic

Operating pressure hydraulics	250.0 bar
Flow rate	144.0 l/min
Tank capacity	100.0 l

### Mechanical - Output Details

Nominal rotation speed	2,000.0 1/min
Travel speed stage 1	2.6 km/h
Travel speed stage 2	4.5 km/h

### Mechanical Details

Length	6,089.0 mm
Width	2,104.0 mm
Height	2,558.0 mm
Operating weight (min.-max.)	5,700.0 - 5,915.0 kg
Digging depth (max.)	3,727.0 mm

### Engine

Cooling	Water-cooling
Engine type	Diesel engine
Cylinder capacity	3,054.0 cm <sup>3</sup>
Tank capacity	109.0 l
Effective power	35.9 KW

Nominal Engine speed	2,000.0 1/min
Operating power	35.9 KW
Operating Engine speed	2,000.0 1/min
Starter battery Voltage	12.0 V
Battery capacity (nom. value)	120.0 Ah
Engine Manufacturer	Yanmar
Engine Designation	4TNV94L-ZWWN

### Environment Data

Sound power LWA, measured	97.0 dB(A)
Sound power LWA, guaranteed	99.0 dB(A)

### Operating Fluids

Oil volume	11.600 l
Cooling fluid volume	10.0 l
Hydraulic fluid volume	100.0 l

### Chassis

Traction drive	Axialpistonmotor with RGU
Operating pressure	250.0 bar

### Shipping and Storage

Length for shipping	6,089.0 mm
Width for shipping	2,104.0 mm

Height for shipping

2,558.0 mm

Shipping weight

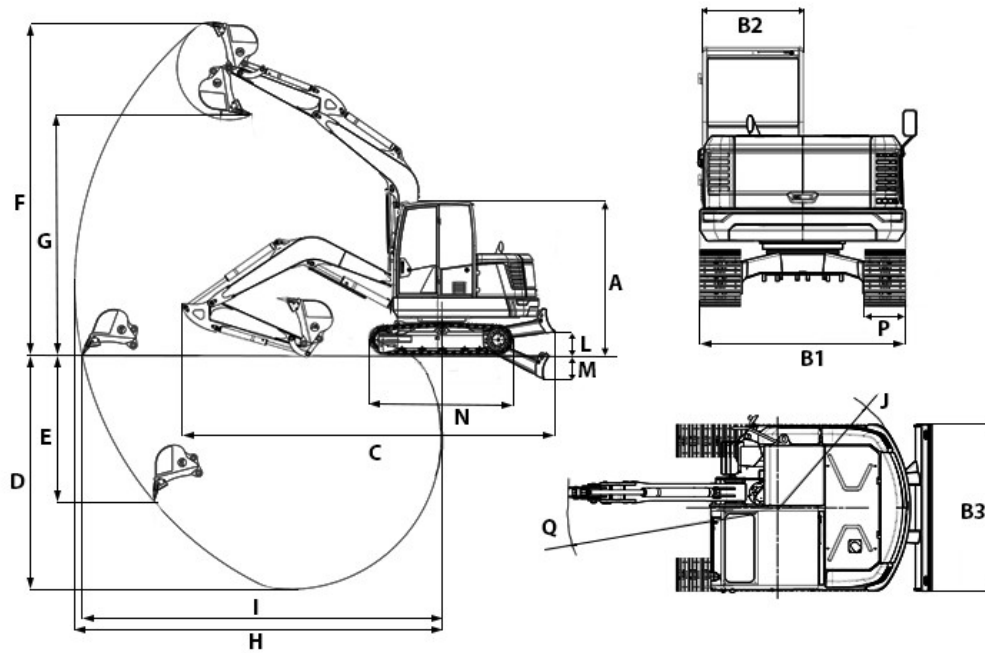
5,545.0 kg

## Available engines

### ■ Yanmar 中国三 (China III)

Cooling	Water-cooling
Engine type	Diesel engine
Cylinder	4
Cylinder capacity	3,054 cm <sup>3</sup>
Fuel	Diesel EN 590
Effective power	35.9 KW
Nominal Engine speed	2,000 1/min
Idling speed	1,000 1/min
Engine speed (max. torque)	1,400 1/min
Exhaust-gas limit	中国三 (China III)
Engine Manufacturer	Yanmar
Stroke	110 mlai
Bore	94 mlai

## Dimensions



A	Height with cab	2,558 mm
B1	Width of upper carriage	2,104 mm
B2	Width of cab	988 mm
B1	Width travel gear	2,020 mm
B3	Width of dozer blade	2,020 mm
C	Transport length	6,089 mm
D	Digging depth max.	3,727 mm
E	Piercing depth max.	2,273 mm
F	Piercing height max.	5,449 mm
G	Dumping height max.	3,926 mm
H	Digging radius max.	5,958 mm
I	Max. reach at ground level	5,830 mm
J	Tail swing radius	1,600 mm
L	Stacking height max. (dozer blade above surface)	389 mm
M	Digging depth max. (dozer blade below surface)	399 mm
N	Length travel drive	2,418 mm
P	Track width	400 mm
Q	Boom swing radius center	2,520 mm