



**WACKER  
NEUSON**  
*all it takes!*

## DT23

### Track Dumper

The powerful and high-performance track dumper

Powerful in application, easy on the subbase and unlimited off-road: the DT23 is a powerhouse that manages every application because it is both maneuverable and powerful. The optional auxiliary hydraulics for the two-stage drive system and the connection of external units such as breakers or concrete mixers make it versatile on every construction site. Due to the sensitive hydrostatic drive system, even inexperienced operators can find their way quickly with the dumper. With its well-coordinated components, the DT23 offers excellent tractive force with simple technology for easy maintenance.

### Highlights

- Hydrostatic drive
- Four-cylinder turbo diesel engine
- Swivel tip skip
- Fold-down roll over protection system (ROPS)
- Auxiliary hydraulics

### Technical Data

#### Hydraulic

Operating pressure hydraulics	180.0 bar
Hydraulic pump	Variable displacement and gear pump
Flow rate	106.0 l/min
Flow rate max.	115.0 l/min
Tank capacity	20.0 l

#### Mechanical - Output Details

Gradeability	27.0 %
Operating pressure pneumatics	180.0 bar
Travel speed	7.5 km/h

#### Mechanical Details

Length	3,304.0 mm
Width	1,312.0 mm
Height	2,523.0 mm
Payload max.	2,300.0 kg

Operating weight (min.-max.)	2,265.0 kg
------------------------------	------------

#### Engine

Engine type	Diesel engine
Cylinder	4.0
Cylinder capacity	1,498.0 cm <sup>3</sup>
Effective power	18.5 KW
Nominal Engine speed	2,300.0 1/min
Engine Manufacturer	Kubota
Engine Designation	V1505
Stroke	78.0 mm
Bore	78.0 mm

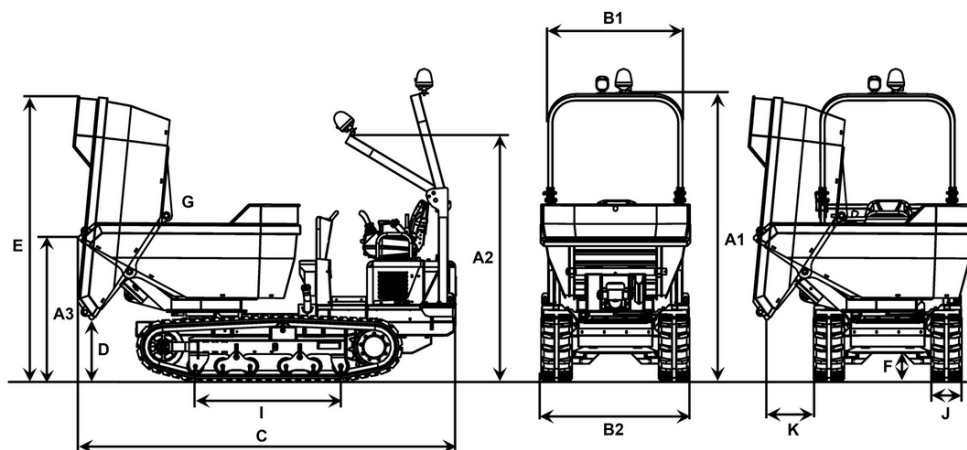
#### Environment Data

Sound level LpA	87.0 dB(A)
Sound power LWA, measured	101.0 dB(A)

#### Shipping and Storage

Shipping weight	2,190.0 kg
-----------------	------------

## Dimensions



		Swivel tip skip
A1	Height ROPS	2,523 mm
A2	Height of ROPS tilted	2,163 mm
A3	Height front edge of skip	1,262 mm
B1	Width of skip	1,312 mm
B2	Width of undercarriage	1,300 mm
C	Total length	3,304 mm
D	Dumping height max.	547 mm
E	Skip height tilted	2,505 mm
F	Ground clearance	160 mm
G	Dumping angle	85 °
I	Length chain stand	1,275 mm
J	Track width	270 mm
K	Dumping width lateral	408 mm