



ET18

Tracked conventional excavator

More options, even when things get tight.

The ET18 mini-excavator is the right compact excavator where space is limited and expectations are high. The adjustable telescopic travel gear allows for narrow passages and ensures stability, making it adaptable to any situation. The load-sensing hydraulics deliver sensitive control for attachments. Auto-idle, joystick control, and pressure release from the cab reduce setup times and increase operator safety. VDS keeps the machine level – ideal for slopes or curbs – ensuring optimal results in a comfortable, upright seated position, even when working on inclines. Flexible with simple crane loading via two lifting points on the cab or canopy.

Highlights

- Parallel operable control circuits AUX II &
- Hydraulic telescopic travel gear with dozer blade extension
- Enormously high performance thanks to single-pump hydraulic system
- Comfort that noticeably increases performance
- VDS Vertical Digging System

Technical Data

Hydraulic

Operating pressure hydraulics	240.0 bar
Hydraulic pump	Axial piston displacement pump
Flow rate	63.0 l/min

Mechanical - Output Details

Travel speed	5.0 km/h
--------------	----------

Mechanical Details

Length	3,884.0 - 3,897.0 mm
Width	990.0 - 1,300.0 mm
Height	2,348.0 mm
Operating weight (min.-max.)	1,940.0 - 2,320.0 kg
Digging depth (max.)	2,570.0 mm

Engine

Cooling	Water-cooling
Engine type	Diesel engine
Cylinder	3.0

Cylinder capacity	1,266.0 cm ³
Fuel	Diesel EN15940
Effective power	14.6 KW
Nominal Engine speed	2,250.0 1/min
Engine Manufacturer	Yanmar
Engine Designation	3TNV80F-NPWN

Environment Data

Sound power LWA, guaranteed	93.0 dB(A)
-----------------------------	------------

Operating Fluids

Fuel Tank capacity	29.5 l
--------------------	--------

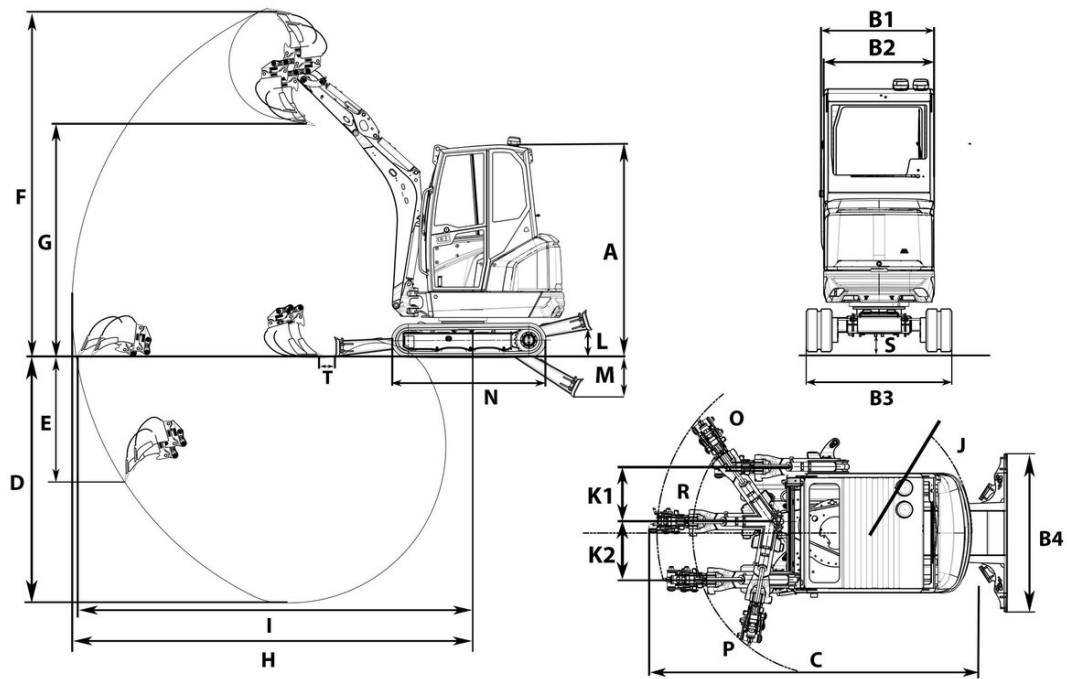
Chassis

Traction drive	Swash plate motor
Operating pressure	240.0 bar

Shipping and Storage

Shipping weight	1,780.0 - 2,160.0 kg
-----------------	----------------------

Dimensions



A	Height with cab	2,348 mm	2,449 mm
	Total height of cabin with rotating beacon	2,435 mm	2,535 mm
B1	Width of upper carriage	990 mm	990 mm
B2	Width of cab	990 mm	990 mm
B3	Width travel gear retracted	990 mm	990 mm
	Width travel gear extended	1,300 mm	1,300 mm
C	Transport length short shovel arm	3,627 mm	3,682 mm
	Transport length long shovel arm	3,512 mm	3,581 mm
D	Digging depth max., short shovel arm	2,410 mm	2,308 mm
	Digging depth max., long shovel arm	2,570 mm	2,468 mm
E	Piercing depth max., short shovel arm	1,175 mm	1,074 mm
	Piercing depth max., long shovel arm	1,305 mm	1,204 mm
F	Piercing height max., short shovel arm	3,571 mm	3,672 mm
G	Dumping height max., short shovel arm	2,389 mm	2,491 mm
	Dumping height max., long shovel arm	2,503 mm	2,605 mm
H	Digging radius max., short shovel arm	3,991 mm	3,991 mm
	Digging radius max., long shovel arm	4,141 mm	4,141 mm
I	Max. reach at ground level (short shovel arm)	3,934 mm	3,914 mm
	Max. reach at ground level (long shovel arm)	4,085 mm	4,067 mm
J	Tail swing radius	1,123 °	1,123 °
K1	Boom offset max. (to center of bucket right side)	549 mm	548 mm
K2	Boom offset max. (to center of bucket left side)	386 mm	386 mm
L	Stacking height max. (dozer blade above surface)	290 mm	367 mm
M	Digging depth max. (dozer blade below surface)	446 mm	374 mm
N	Length travel drive	1,602 mm	1,701 mm
O	Boom swing radius right	1,476 mm	1,476 mm
P	Boom swing radius left	1,182 mm	1,182 mm
R	Boom swing radius center	1,576 mm	1,576 mm
S	Ground clearance	170 mm	164 mm
T	Distance bucket dozer blade, short shovel arm	115 mm	67 mm
	Distance bucket dozer blade, long shovel arm	19 mm	0 mm