



## 9080 Wheel loaders

### Technical Data

#### ■ Standard engine data

Engine manufacturer	Deutz
Motor type	TCD 3.6 S5
Cylinder	4
Drive output	100 kW
Drive output	134.1 HP
at max. rpm	2,300 rpm
Cylinder capacity	220.97 in <sup>3</sup>
Type of coolant	Water/charge air
Exhaust standard level	V
Exhaust aftertreatment	DOC/DPF/SCR

#### ■ Engine data Option 1

Engine manufacturer	Deutz
Motor type	TCD 4.1 S5
Cylinder	4
Drive output	115 kW
Drive output	154.2 HP
at max. rpm	2,300 rpm
Cylinder capacity	246.41 in <sup>3</sup>
Type of coolant	Water/charge air
Exhaust standard level	V
Exhaust aftertreatment	DOC/DPF/SCR

#### ■ Electrical system

Operating voltage	12 V
Battery	185 Ah
Alternator	120 A

#### ■ Weights

Operating weight	23,634 lb
Tipping load with bucket – machine pivoted, loading frame horizontal	10,267 lb
Tipping load with pallet fork – machine straight, loading frame horizontal	10,194 lb

Tipping load with pallet fork – machine pivoted, loading frame horizontal 8,975 lb

#### ■ Driver's cab

Driver's cab	Cab
--------------	-----

#### ■ Filling levels

Tank capacity for fuel	36.98 US gal
Tank capacity for hydraulic oil	33.02 US gal
Tank capacity for urea solution	3.17 US gal

#### ■ Drive system

Type of drive	Hydrostatic
drive unit	universal joint shaft
Speed levels	3
Axle	PA 1900
Travel speed Standard	0-12,43 mph
Travel speed Option 1	0-18,64 mph
Travel speed Option 2	0-24,85 mph
Operating brake	Multi-disc brake on front axle acting on rear axle via universal joint shaft
Parking brake	Electro-hydraulic multi-disc brakes with spring suspension in the front axle acting on rear axle via articulated universal joint shaft
Differential lock	100 % front axle + rear axle

#### ■ Hydraulic system

Drive hydraulics working pressure (max.)	6962 psi
Work hydraulics discharge volume (max.)	39,63 (47,55) gpm
Work hydraulics working pressure (max.)	3626 psi

#### ■ Kinematics

Kinematics type	P
Lifting cylinder	2
Tipping cylinder	2
Quick change system	hydraulic

## ■ Steering

Steering type	Hydraulic articulated steering with oscillating axle
Steering cylinder	2
Oscillating angle of the rear axle	± 12 degree

## ■ Noise characteristic values

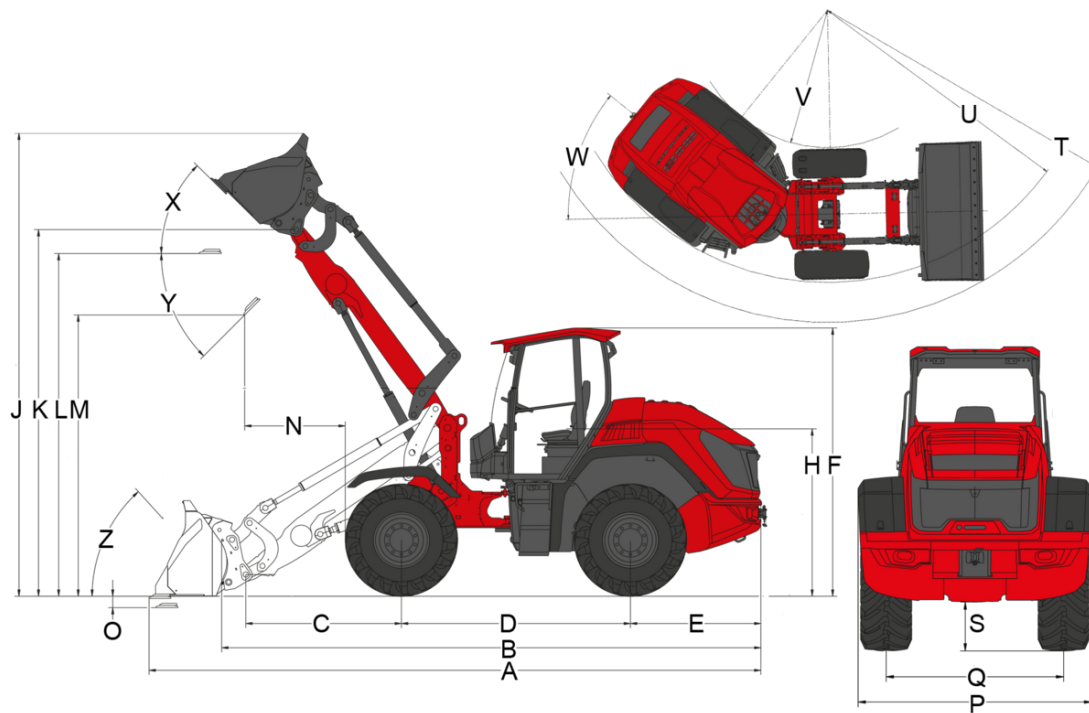
Average sound power level LwA (cabin)	100.7 dB(A)
---------------------------------------	-------------

Guaranteed sound power level LwA (cabin)	102 dB(A)
Specified sound pressure level LpA (cabin)	70 dB(A)

## ■ Other information

FSD = operator's canopy  
DPF = diesel particulate filter  
DOC = diesel oxidation catalyst  
SCR = selective catalytic reduction  
Tipping load calculation pursuant to ISO 14397

## Dimensions



### Double P-kinematics (standard)

	Standard components	500 / 70 R24 Michelin XMCL ET 40
<b>A</b>	Total length	278.0 in
<b>B</b>	Total length without bucket	246.9 in
<b>C</b>	Bucket pivot point (to center of axle)	71.3 in
<b>D</b>	Wheel base	104.7 in
<b>E</b>	Rear overhang	59.8 in
<b>F</b>	Height with operator's canopy (fixed)	
	Height with fold-down operator's canopy (EPS)	
	Height with fold-down operator's canopy (EPS), folded down	
	Height with lowerable operator's canopy (EPS Plus), lowered	
	Height with lowerable operator's canopy (EPS Plus)	
	Height with lowered operator's canopy	
	Height with operator's canopy raised	
	Height with cab lowered	
	Height with cab raised	
	Height with cab	122.4 in
<b>H</b>	Seat height	76.4 in
<b>J</b>	Total working height	206.7 in
<b>K</b>	Bucket pivot point (max. lift height)	167.7 in
<b>L</b>	Load-over height	156.7 in
<b>M</b>	Dumping height	129.9 in
<b>N</b>	Reach (at M)	44.9 in
<b>O</b>	Digging depth	5.4 in
<b>P</b>	Total width	94.1 in
<b>Q</b>	Track width	71.7 in
<b>S</b>	Ground clearance	19.8 in
<b>T</b>	Maximum external radius	221.7 in
<b>U</b>	Radius on the outer edge	192.9 in
<b>V</b>	Inner radius	96.5 in
<b>W</b>	Articulation angle	40 °
<b>X</b>	Rollback angle at max. lift height	45 °
<b>Y</b>	Dumping angle	45 °
<b>Z</b>	Rollback angle on ground	48 °

The illustrations, equipment and data shown may deviate from the current delivery program of your country. Optional equipment subject to additional charge may be shown. Subject to changes.