



## EZ30

### Tracked Zero Tail Excavators

designed for construction site champions

Our brand new EZ30 has proven its excellent maneuverability and amazing work efficiency in various work applications thanks to the brand new LUDV hydraulic system and the stage 4 Yanmar engine. The EZ30 can be extremely competitive for large demolition jobs. The maximum hydraulic flow for the auxiliary hydraulics can reach up to 21.5 l/min and 180 bar, clearly setting it apart from its competitors. Its compact design, especially the zero tail and removable cab, are ideal for working in confined areas - restricted in height or width. Don't worry if you are always working under time pressure, our seat and overall cabin design will provide you the best comfort during long working hours. Look no further, this is your ideal choice.

## Highlights

- Up to four additional factory-installed control circuits
- Faster and stronger performance
- Zero Tail
- Canopy can be easily disassembled

## Technical Data

### Hydraulic

Operating pressure hydraulics	240.0 bar
Flow rate	70.0 l/min

### Mechanical - Output Details

Nominal rotation speed	2,500.0 1/min
Travel speed stage 1	2.1 km/h
Travel speed stage 2	3.8 km/h

### Mechanical Details

Length	4,290.0 mm
Width	1,570.0 mm
Height	2,414.0 mm
Operating weight (min.-max.)	2,860.0 kg
Digging depth (max.)	2,737.0 mm

### Engine

Cooling	• Water-cooling
Engine type	• Diesel engine
Cylinder capacity	1,266.0 cm3
Tank capacity	36.0 l
Effective power	15.2 KW

Nominal Engine speed	2,500.0 1/min
Starter battery Voltage	12.0 V
Engine Manufacturer	• Yanmar
Engine Designation	• 3TNV80F-SNWN1

### Environment Data

Sound power LWA, measured	93.0 dB(A)
Sound power LWA, guaranteed	93.0 dB(A)
Exhaust gas limit values	• CN Stage IV

### Operating Fluids

Oil volume	3.400 l
Cooling fluid volume	4.5 l
Hydraulic fluid volume	30.0 l

### Chassis

Traction drive	• Axialpistonmotor with RGU
----------------	-----------------------------

### Shipping and Storage

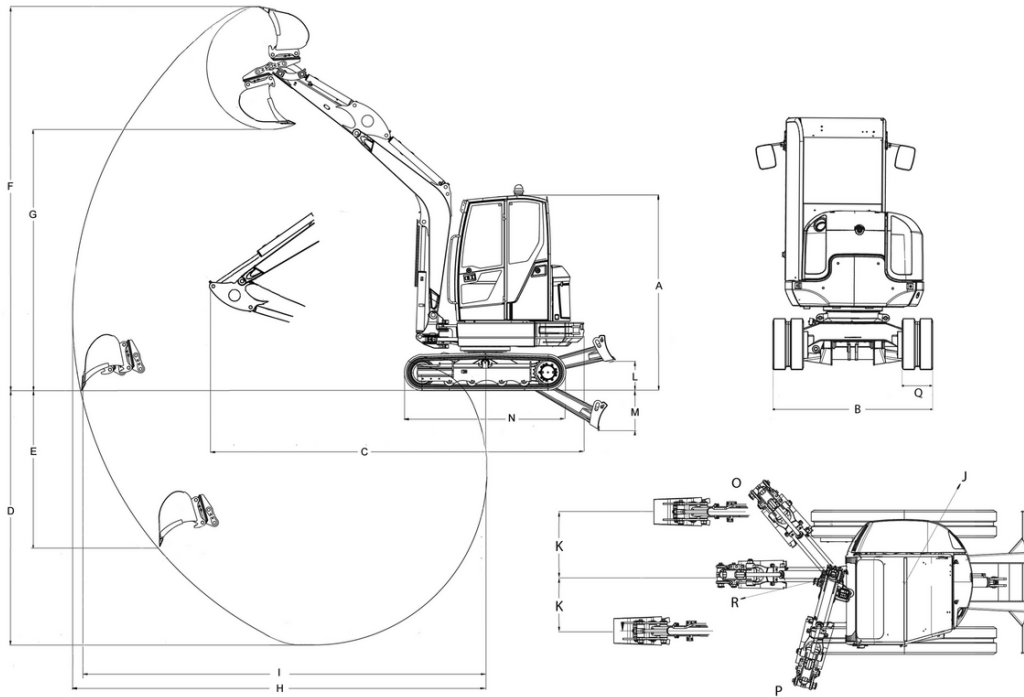
Length for shipping	4,290.0 mm
Width for shipping	1,570.0 mm
Height for shipping	2,414.0 mm
Shipping weight	2,470.0 kg

## Available engines

### ■ Yanmar 3TNV80F-SNWN1 中国四 (China IV)

Cooling	Water-cooling
Engine type	Diesel engine
Cylinder	3
Cylinder capacity	1,266 cm <sup>3</sup>
Fuel	Diesel EN 590
Effective power	15.2 KW
Nominal Engine speed	2,500 1/min
Exhaust-gas limit	中国四 (China IV)
Starter battery Voltage	12 µg/l
Engine Manufacturer	Yanmar
Engine Designation	3TNV80F-SNWN1
Stroke	80 mlai
Bore	84 mlai

## Dimensions



A	Height of canopy	2,414 mm
	Height of dozer blade	300 mm
B	Width travel gear	1,570 mm
B5	Width of dozer blade	1,570 mm
C	Transport length	4,266 mm
D	Digging depth max.	2,537 mm
E	Piercing depth max.	1,949 mm
F	Piercing height max.	4,176 mm
G	Dumping height max.	2,847 mm
H	Digging radius max.	4,624 mm
I	Max. reach at ground level	4,490 mm
J	Tail swing radius	770 mm
K	Boom offset max. (to center of bucket right side)	765 mm
	Boom offset max. (to center of bucket left side)	531 mm
L	Stacking height max. (dozer blade above surface)	387 mm
M	Digging depth max. (dozer blade below surface)	412 mm
N	Length travel drive	2,021 mm
O	Max. swivel angle (arm system to the right)	50 °
P	Max. swivel angle (arm system to the left)	75 °
Q	Track width	300 mm
R	Boom swing radius center	2,082 mm